

FLUSH VALVES

SWCV-2230



Battery Powered Water Closet Flushometer with Trim

GENERAL SPECIFICATION

Speakman SWCV-2000 flushometer with 1" sweat solder kit, 1" angle stop, 1½" x 9" vacuum breaker and 1½" spud coupling. All components brass with polished chrome plated solid brass finish. Adaptable to right and left hand installations. Factory set to 1.6 GPF requirements. Secure threaded tailpiece adjustment. Adjustable sensor focal distance and beam direction. Renewable seating surface. Maintenance mechanical override. 6 volt lithium battery. Low battery warning light. ADA compliant. Certified to UPC, ASSE 1037-90 and CSA B125.3-05.

SWCV-2230

Battery operated water closet flushometer, 1" sweat solder kit and stop, 1½" x 9" vacuum breaker and spud coupling

OPTIONS

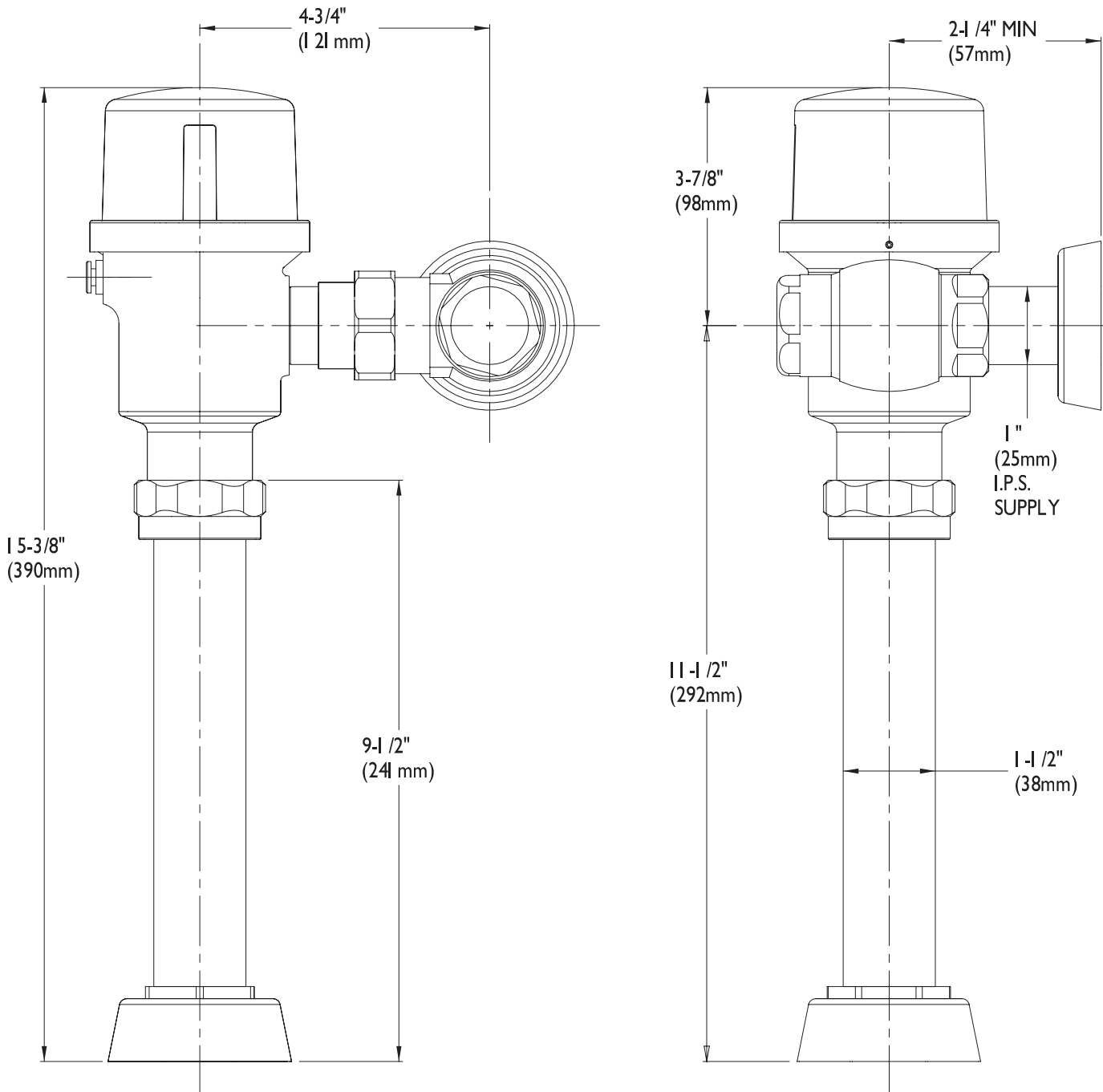
SUFFIX	DESCRIPTION
<input type="checkbox"/> 26	1½" x 26" vacuum breaker
<input type="checkbox"/> VR	Vandal resistant override housing

This space for Architect/Engineer approval.



ROUGH-INS

SWCV-2230



NOTE: All dimensions are in inches (millimeters) unless otherwise specified and are subject to change without notice. Unless otherwise specified, inlet is 1" NPT or 1" copper female and outlet is 1-1/2" NPSM female.