

FLUSH VALVES

Battery Powered Urinal Flushometer with Trim

SUV-2110



GENERAL SPECIFICATION

Speakman SUV-2000 flushometer with 3/4" sweat solder kit, 3/4" angle stop, 3/4" x 9" vacuum breaker and 3/4" spud coupling. All components brass with polished chrome plated finish. Adaptable to right and left hand installations. Factory set to 1.0 GPF requirements. Adjustable to meet 0.5 GPF installations. Secure threaded tailpiece adjustment. Adjustable sensor focal distance and beam direction. Renewable seating surface. Maintenance mechanical override. 6 volt lithium battery. Low battery warning light. ADA compliant. Certified to UPC, ASSE 1037-90 and CSA B125.3-05.

SUV-2110

Battery operated urinal flushometer, 3/4" sweat solder kit and stop, 3/4" x 9" vacuum breaker and spud coupling

OPTIONS

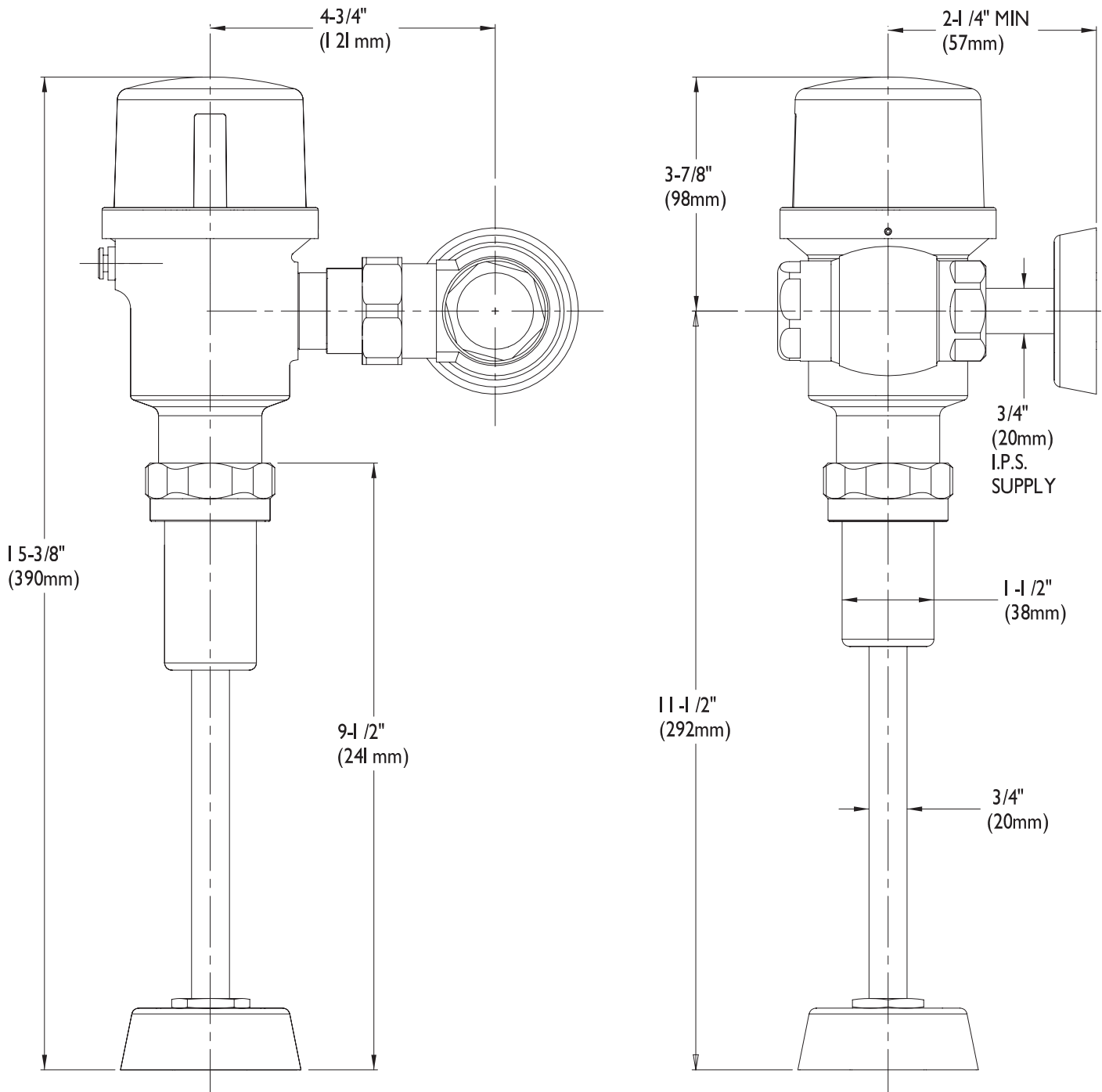
SUFFIX	DESCRIPTION
<input type="checkbox"/> 26	3/4" x 26" vacuum breaker
<input type="checkbox"/> VR	Vandal resistant override housing

This space for Architect/Engineer approval.



ROUGH-INS

SUV-2110



NOTE: All dimensions are in inches (millimeters) unless otherwise specified and are subject to change without notice. Unless otherwise specified, inlet is 3/4" NPT or 3/4" copper female and outlet is 3/4" NPSM female.