

# SPEAKMAN COMPANY

## Rainier Collection Combination Series SM-8410-P

### DESCRIPTION

Speakman Rainier Collection Combination Series unites the best products included in our Rainier Series. The combination begins with our anti-scald balanced pressure valve with integral volume control and stops, featuring a brass body and adjustable temperature limit stop. The wall plate, handle, and volume control handle are designed with definitive Rainier Collection styling. Piston type pressure balancing/ceramic regulating cartridge assembly with built-in check valves. Meets ASME A112.18.1 / CSA B125.1 & ASSE 1016 standards. Also provided is the S-2550 brass 7" shower arm with brass wall flange. The featured product in the Alexandria Collection Combination Series is the ANYSTREAM® S-3018 showerhead with a 2½" spray adjustment lever. Five self-cleaning plunger nozzles resist scale build-up and provide 50 spray streams for a full body coverage pattern. The center core nozzle delivers 8 massaging jets and a combination spray is included. Water-conserving pressure compensating AUTOFLO® device reduces flow to 2.5 GPM / 9.46 LPM maximum, to meet existing ANSI A112.18.1 Standard.

### SPECIFICATIONS

SM-8400-P Anti-Scald Balanced Pressure Valve:

Connections: ½" female copper sweat inlets & shower outlet; ½" NPT female tub outlet

Flow Rate: For use with showerheads rated at 2.0 GPM (7.6 LPM) or higher.

S-3018 Showerhead:

Supply: ½" NPT female

Flow Rate: 2.5 GPM / 9.46 LPM MAX

S-2550 Shower Arm:

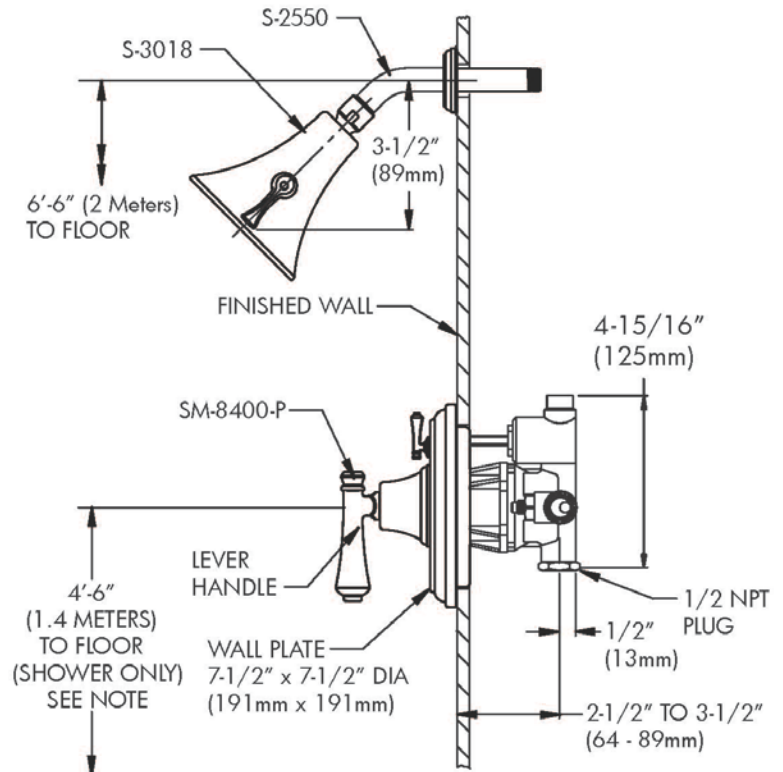
Supply: ½" NPT male inlet

Outlet: ½" NPT male outlet

### INSTRUCTIONS

See individual products for installation of the components and warranty information.

### ROUGH-IN



NOTE: FOR ADA MOUNTING LOCATIONS CONSULT ADAAG, ANSI A117.1 OR STATE REGULATIONS.