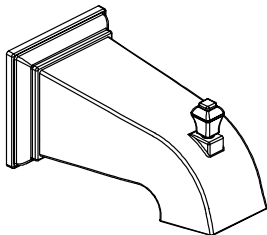
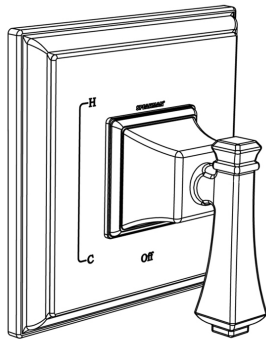
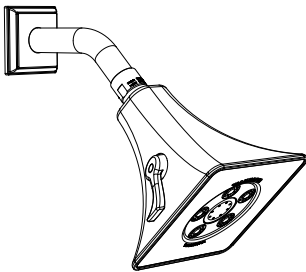


# SPEAKMAN RAINIER™

## Shower Combination SM-8030-P & SM-8010-P

SPECIFICATION



### FEATURES:

- Square style
- S-3018 showerhead
- S-2550 shower arm & flange
- SM-8000-P pressure balance shower valve & trim
- SM-8030-P with S-1564 diverter tub spout with slip-fit connection
- SM-8010-P without S-1564 diverter tub spout

### COMPLIANCE:

- Certified to ASME A112.18.1/CSA B125.1 and ASSE 1016 standards

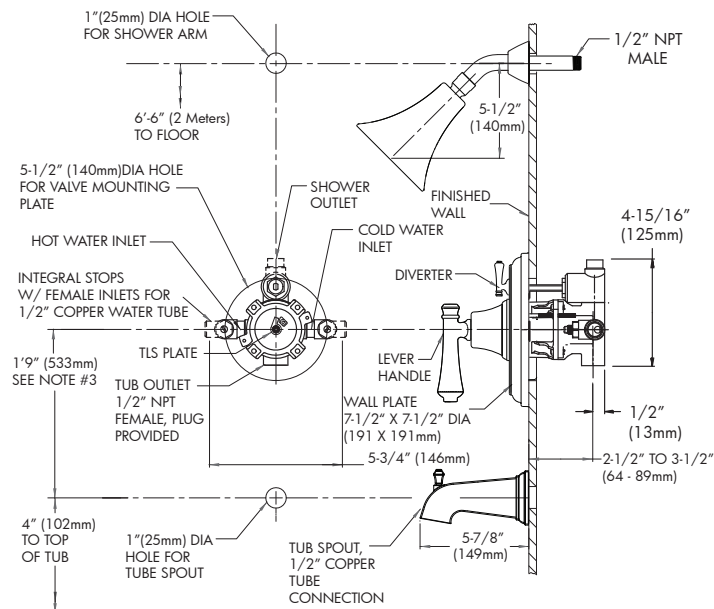
### AVAILABLE FINISHES:

ADD SUFFIX TO MODEL #

- Polished Chrome (standard)

### WARRANTY:

- 1 year limited



NOTE: 1. All dimensions are in inches (millimeters) unless otherwise specified and are subject to change without notice. 2. Unless otherwise specified, all inlets and outlets are 1/2" female copper sweat. 3. For ADA mounting locations, consult ADAAG, ANSI A117.1, or static regulations

THIS SPACE FOR ARCHITECT/ENGINEER APPROVAL.

# SPEAKMAN®

400 ANCHOR MILL ROAD | NEW CASTLE, DE 19720  
 P: 800-537-2107 | F: 800-977-2747  
 WWW.SPEAKMANCOMPANY.COM



REVISION DATE: FEB. 2012