

SPEAKMAN COMPANY

Caspian Collection Combination Series

SM-7430-P

DESCRIPTION

Speakman Caspian Collection Combination Series unites the best products included in our Caspian Series. The combination begins with our anti-scald balanced pressure valve with integral diverter and stops, featuring a brass body and adjustable temperature limit stop. The wall plate, handle, and diverter handle are designed with definitive Caspian Collection styling. Piston type pressure balancing/ceramic regulating cartridge assembly with built-in check valves. Meets ASME A112.18.1 / CSA B125.1 & ASSE 1016 standards. Also provided is the S-2500 brass 7" shower arm with brass wall flange. The featured product in the Caspian Collection Combination Series is the ANYSTREAM® S-3014 showerhead with a 4" outer spray adjustment ring. Five self-cleaning plunger nozzles resist scale build-up and provide 50 spray streams for a full body coverage pattern. The center core nozzle delivers 12 massaging jets and a combination spray is included. Water-conserving pressure compensating AUTOFLO® device reduces flow to 2.5 GPM / 9.46 LPM maximum, to meet existing ANSI A112.18.1 Standard. Also included in this package is the brass S-1561 Caspian tub spout, matched to the styling of the other combination components.

SPECIFICATIONS

SM-7400-P Anti-Scald Balanced Pressure Valve:

Connections: 1/2" female copper sweat inlets & shower outlet; 1/2" NPT female tub outlet

Flow Rate: For use with showerheads rated at 2.0 GPM (7.6 LPM) or higher.

S-3014 Showerhead:

Supply: 1/2" NPT female

Flow Rate: 2.5 GPM / 9.46 LPM MAX

S-2500 Shower Arm:

Supply: 1/2" NPT male inlet

Outlet: 1/2" NPT male outlet

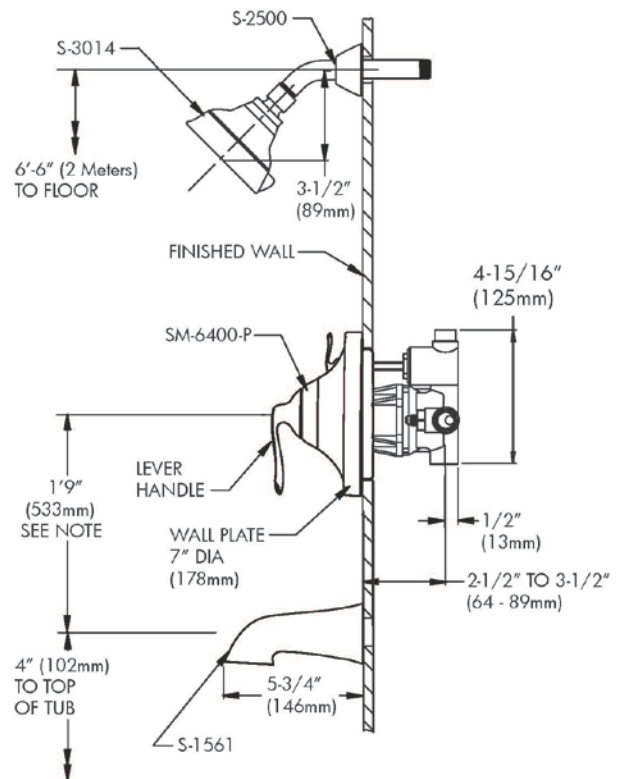
S-1561 Tub Spout:

Supply: 1/2" copper pipe slip fit

INSTRUCTIONS

See individual products for installation of the components and warranty information.

ROUGH-IN



NOTE: FOR ADA MOUNTING LOCATIONS CONSULT ADAAG, ANSI A117.1 OR STATE REGULATIONS.