

SENTINELPRO™

SM-5010



Anti-Scald Thermostatic/ Pressure Balanced WaterSense® Shower



GENERAL SPECIFICATION

Speakman SentinelPro concealed anti-scald thermostatic/pressure balanced shower/bath valve combinations. Chrome plated brass wall plate with metal index. Chrome plated metal lever handle. Adjustable temperature limit stop (TLS) Factory set @ 110 F°. Brass body with integral spring check stops. Dual element thermostatic/pressure balancing cartridge. Can be installed back to back. Roughing-in template. Vandal-resistant standard. S-2272-E2 WaterSense certified showerhead reduces flow to 2.0 gpm/7.57 lpm maximum. S-2500 shower arm and wall flange. Four port valve with ½” female copper sweat inlets and shower outlet. ½” NPT female tub outlet. Furnished with ½” pipe plug. Meets ASME A112.18.1/CSA B125.1 & ASSE 1016 standards.

Construction is Forged Brass Body and Glass Filled Resin Bonnet. Capacity is 4.0 GPM +/- .25 @ 45 psi (50/50 mix). Maximum Hot Water Supply Temperature is 185°F. Minimum Hot Water Supply Temperature is 5°F above set point. Maximum operating temperature is 125 psig. Valve Temperature Set Point is 110°F (Based on 115-120°F hot & 55 – 65°F Cold). Maximum Static Pressure is 125 psig. Minimum flow (for +/-3°F performance) meets 1016 to 1.5 gpm.

SM-5010

Anti-scald thermostatic/pressure balanced pressure shower with S-2272-E2 2.0 gpm WaterSense certified showerhead.

OPTIONS

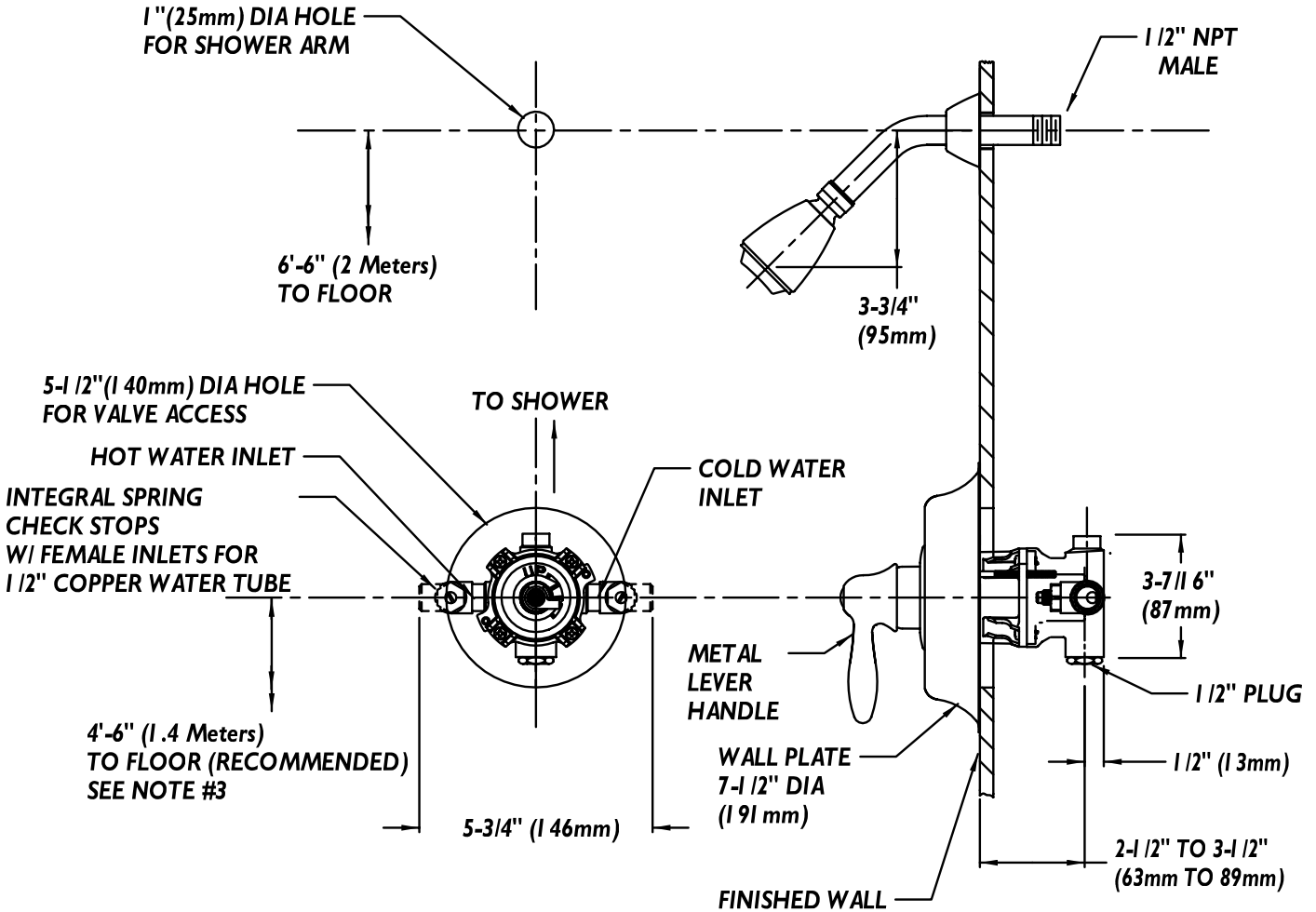
SUFFIX	DESCRIPTION
<input type="checkbox"/> LH	Less showerhead
<input type="checkbox"/> 1	S-2251 showerhead
<input type="checkbox"/> 2	S-2252 showerhead
<input type="checkbox"/> 2VR	S-2252 vandal-resistant showerhead
<input type="checkbox"/> 3	S-2253 showerhead
<input type="checkbox"/> 6	S-2288 showerhead
<input type="checkbox"/> 9	S-2292 showerhead

This space for Architect/Engineer approval.



ROUGH-INS

SM-5010



NOTE: 1. All dimensions are in inches (millimeters) unless otherwise specified and are subject to change without notice. 2. Unless otherwise specified all inlets and outlets are 1/2" female copper sweat. 3. For ADA mounting locations consult ADAAG, ANSI A117.1, or state regulations.