

## SENTINEL MARK II®

SM-4431

### Anti-Scald Balanced Pressure Shower & Bath

#### SM-4431

Sentinel Mark II concealed anti-scald balanced pressure shower and bath with integral volume control/diverter and integral stops. Chrome plated brass wall plate with decorative etched metal index. Chrome plated brass Revere handle. Independent center sleeve allows up to 1" of rough-in variation. Adjustable temperature limit stop. Brass body. Pressure balancing module. Ceramic temperature regulating module. Can be installed back-to-back. Roughing-in template. Vandal-resistant standard. S-2270-AF Cosmopolitan® showerhead with flow control device reduces flow to 2.5 gpm/9.46 lpm maximum to meet existing ASME A112.18.1/CSA B125.1 standard. S-2500 shower arm and wall flange. S-1554 tub spout. Four port valve with 1/2" female copper sweat inlets and shower outlet. 1/2 female NPT tub outlet. Meets ASSE 1016, 1989 standard.



#### OPTIONS

SUFFIX	DESCRIPTION
--------	-------------

- |                              |                                       |
|------------------------------|---------------------------------------|
| <input type="checkbox"/> LH  | Less showerhead                       |
| <input type="checkbox"/> 1   | S-2251-AF showerhead                  |
| <input type="checkbox"/> 2   | S-2252-AF showerhead                  |
| <input type="checkbox"/> 2VR | S-2252-AF vandal-resistant showerhead |
| <input type="checkbox"/> 3   | S-2253-AF showerhead                  |
| <input type="checkbox"/> 4   | S-2220-AF showerhead                  |
| <input type="checkbox"/> 6   | S-2288-AF showerhead                  |
| <input type="checkbox"/> 7   | S-2291-AF showerhead                  |
| <input type="checkbox"/> 9   | S-2292-AF showerhead                  |

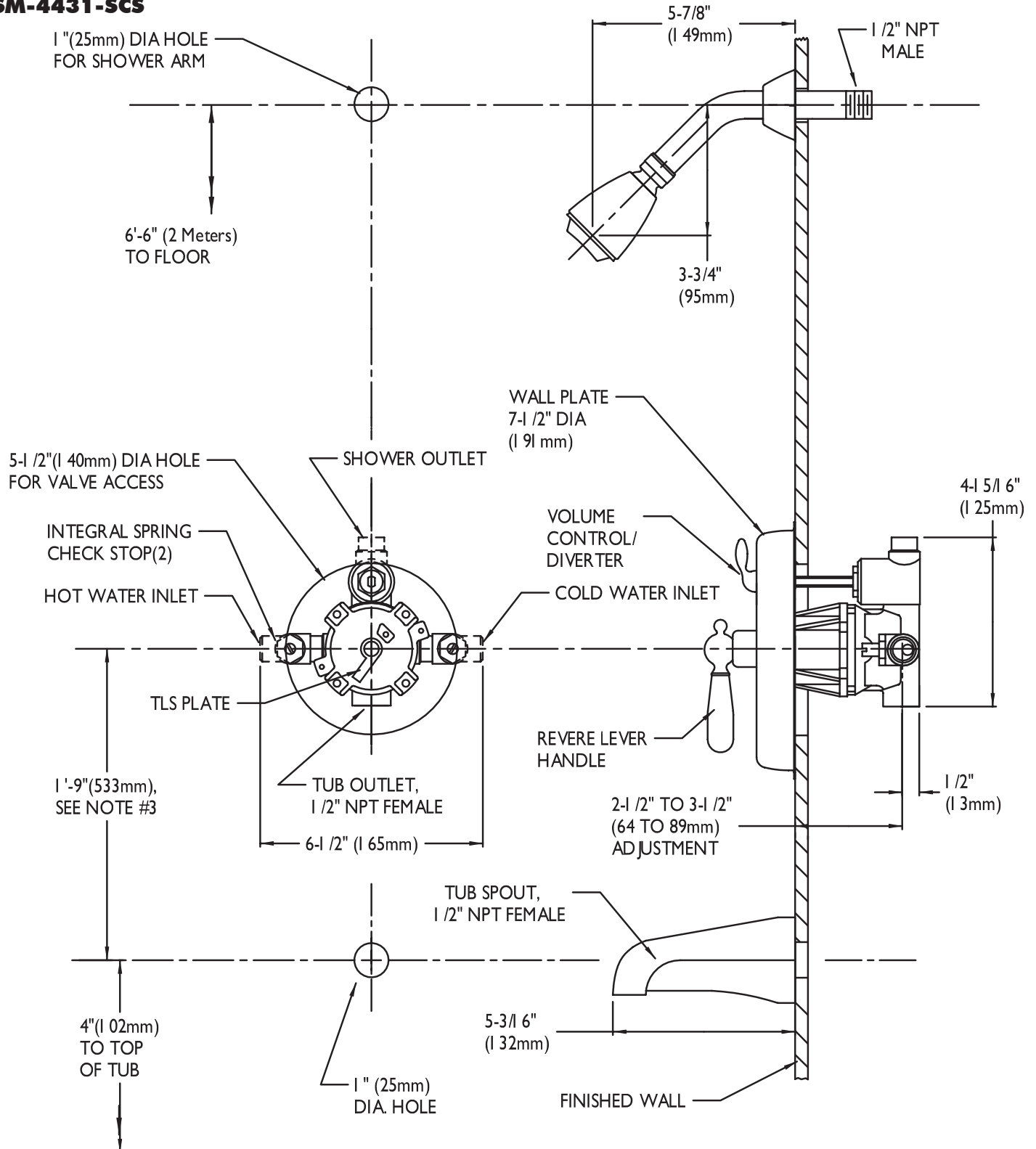
*Contractor packs available upon request.*

This space for Architect/Engineer approval.



## ROUGH-INS

### SM-4431-SCS



NOTE: 1. Unless otherwise specified, all dimensions are in inches (millimeters) and are subject to change without notice. 2. Unless otherwise specified, all inlets and outlets are 1/2" female copper sweat. 3. For ADA mounting locations consult ADAAG, ANSI A117.1, or state regulations.