

## SENTINEL MARK II®

**SM-4000**



## Anti-Scald Balanced Pressure Valve

### GENERAL SPECIFICATION

Sentinel Mark II concealed anti-scald balanced pressure valve. Decorative etched metal index. Chrome plated brass wall plate. Chrome plated brass lever handle. Independent center sleeve allows up to 1" of rough-in variation. Adjustable temperature limit stop. Brass body. Pressure balancing & ceramic temperature regulating cartridge with built-in check valves. Can be installed back-to-back. Roughing-in template. Vandal-resistant standard. Four port valve with 1/2" female copper sweat inlets and shower outlet (tub outlet 1/2 NPT female). Furnished with 1/2" pipe plug. Meets ASSE 1016 & ASME 112.18.1/CSA B125.1 standards.

#### **SM-4000**

Anti-scald valve with decorative index.

#### **SM-4001**

Anti-scald valve with decorative index and Revere handle.

### OPTIONS

SUFFIX	DESCRIPTION
<input type="checkbox"/> IS	Integral stops
<input type="checkbox"/> PC	VS-100-PC handheld shower, chrome finish

**SM-4001**



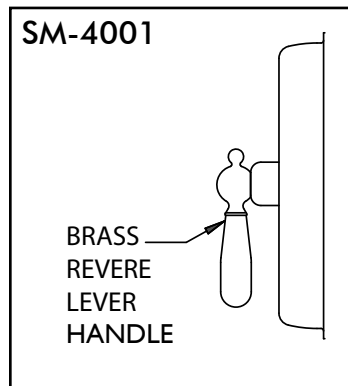
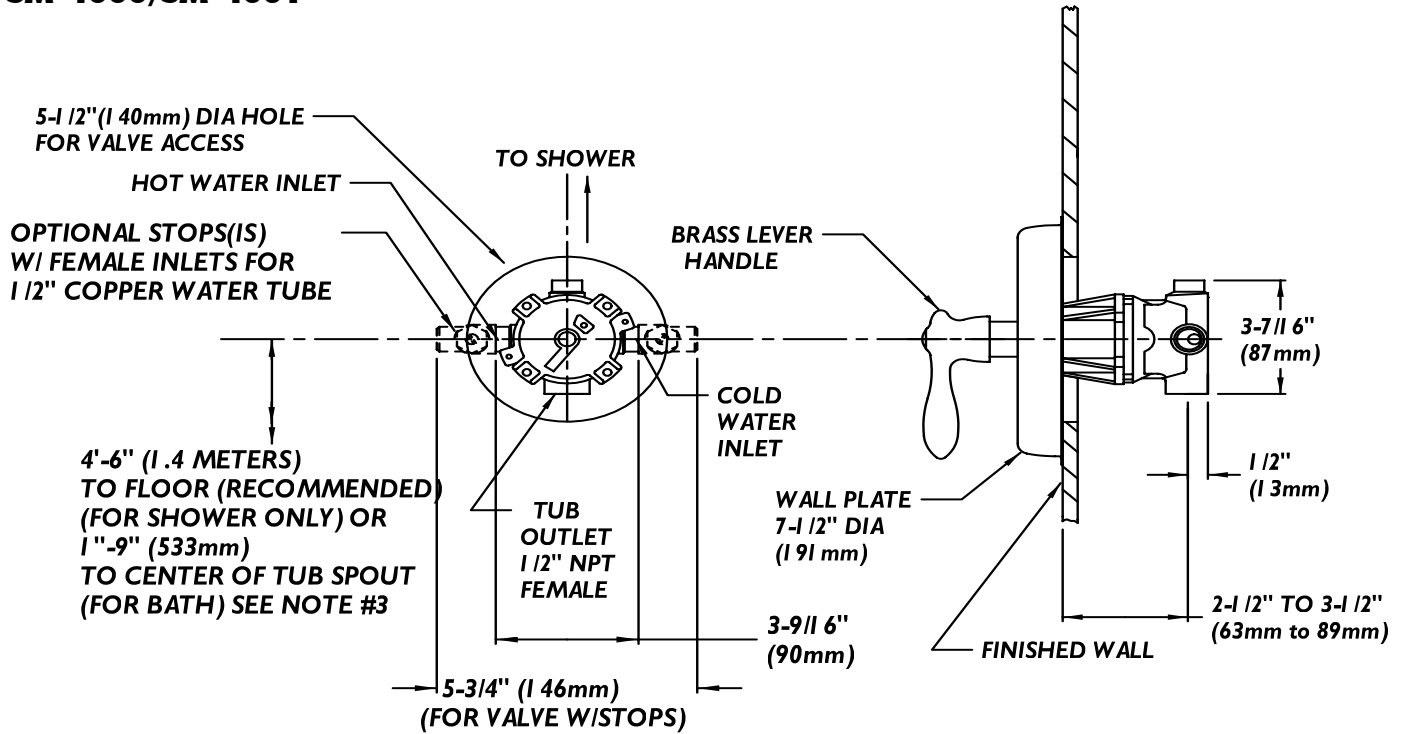
*Contractor packs available upon request.*

This space for Architect/Engineer approval.



## ROUGH-INS

### SM-4000/SM-4001



NOTE: All dimensions are in inches (millimeters) unless otherwise specified and are subject to change without notice. Unless otherwise specified, all inlets and outlets are 1/2" female copper sweat. For ADA mounting locations consult ADAAG, ANSI A117.1, or state regulations.