

## VERSATILE™

SM-3440

## Shower Combination

**SM-3440**

Versatile shower system includes Sentinel Mark II® concealed anti-scald balanced pressure valve with integral volume control/diverter and integral stops and hand held spray combination. Chrome plated brass wall plate with metal index. Chrome plated brass lever handle. Independent center sleeve allows up to 1" of rough-in variation. Adjustable temperature limit stop. Brass body. Pressure balancing and ceramic temperature regulating cartridge with built-in check valves. Can be installed back-to-back. Roughing-in template. Four port valve with 1/2" female copper sweat inlets and shower outlet. 1/2 female NPT tub outlet. Furnished with 1/2" pipe plug. Chrome plated brass supply ell with wall flange. 69" square lock stainless steel hose with rubber liner. Swivel connector. In-line vacuum breaker. 30" chrome plated brass slide bar with mounting screws. VS-100-AF handshower with flow control device reduces flow to 2.5 gpm/9.46 lpm maximum, to exceed existing ASME A112.18.1/CSA B125.1 standard. Non-positive shut-off meets ICC/ANSI A117.1 SEC. 608.6 and ADAAG. Meets ASSE 1016 & ASME 112.18.1/CSA B125.1.



### OPTIONS

SUFFIX	DESCRIPTION
--------	-------------

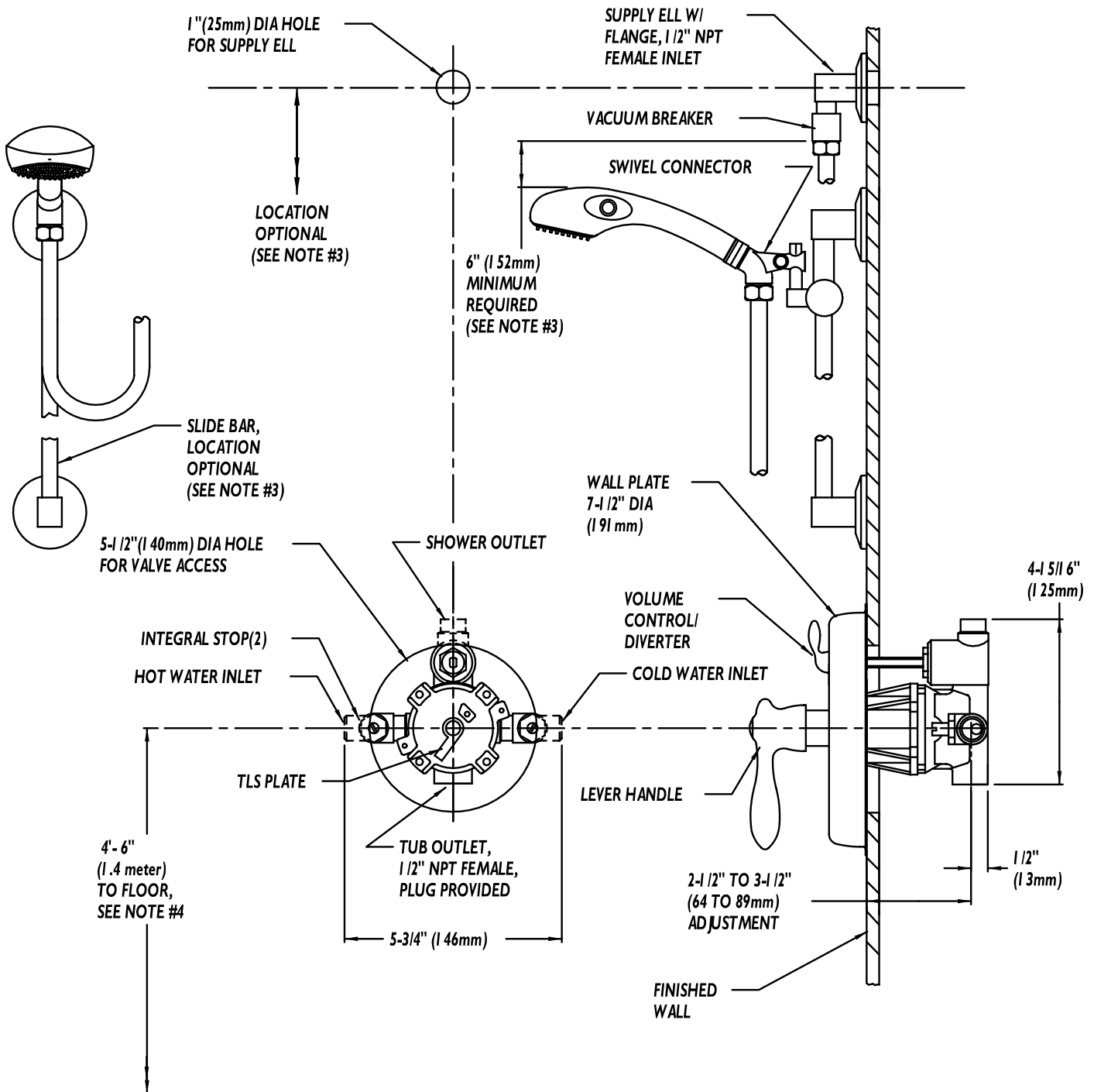
- |                             |  |
|-----------------------------|--|
| <input type="checkbox"/> PC | VS-100-PC handheld shower, chrome finish |
| <input type="checkbox"/> VH | 69" white vinyl hose                     |

This space for Architect/Engineer approval.



## Rough-Ins

### SM-3440



NOTE: All dimensions are in inches (millimeters) unless otherwise specified and are subject to change without notice. Unless otherwise specified all inlets and outlets are 1/2" female copper sweat. The locations of the slide bar and supply ell are optional, but restricted by the 69" hose length running from the supply ell connection to the hand shower and the 6" minimum requirement between the in-line vacuum breaker and top of the hand shower (hand shower adjusted to the highest position). For ADA mounting locations consult ADAAG, ANSI A117.1, or state regulations.