

SENTINEL MARK II®

SM-2000



Anti-Scald Balanced Pressure Valve & Shower

GENERAL SPECIFICATION

Sentinel Mark II concealed anti-scald balanced pressure valve. Chrome plated wall plate. Chrome plated brass lever handle. Independent center sleeve allows up to 1" of rough-in variation. Adjustable temperature limit stop. Brass body. Pressure balancing & ceramic temperature regulating cartridge with built-in check valves. Can be installed back-to-back. Roughing-in template. Four port valve with 1/2" female copper sweat inlets and shower outlet (tub outlet 1/2 NPT female). Furnished with 1/2" pipe plug. Meets ASSE 1016 & ASME 112.18.1/CSA B125.1 standards.

SM-2000

Anti-scald balanced pressure valve only.

SM-2010

Anti-scald balanced pressure shower. S-2272-E2 showerhead with flow control device reduces flow to 2.0 gpm/7.57 lpm maximum to meet existing ASME A112.18.1/CSA B125.1 standard. S-2500 shower arm and wall flange.

SM-2010



OPTIONS FOR SM-2010 ONLY

SUFFIX	DESCRIPTION
--------	-------------

- | | |
|------------------------------|------------------------------------|
| <input type="checkbox"/> IS | Integral stops |
| <input type="checkbox"/> LH | Less showerhead |
| <input type="checkbox"/> 1 | S-2251 showerhead |
| <input type="checkbox"/> 2 | S-2252 showerhead |
| <input type="checkbox"/> 2VR | S-2252 vandal-resistant showerhead |
| <input type="checkbox"/> 3 | S-2253 showerhead |
| <input type="checkbox"/> 6 | S-2288 showerhead |
| <input type="checkbox"/> 9 | S-2292 showerhead |



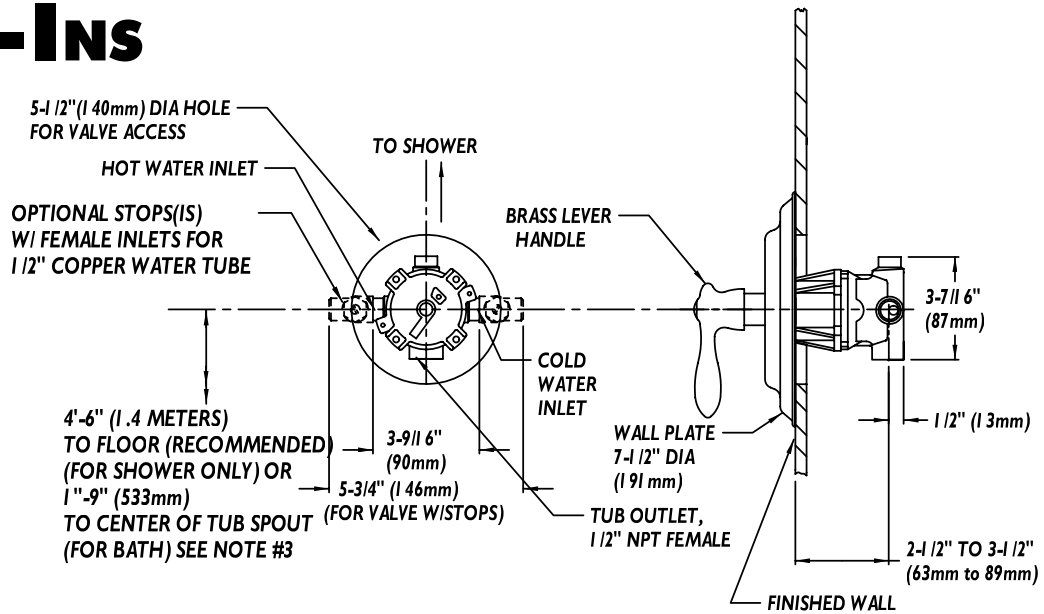
Contractor packs available upon request.

This space for Architect/Engineer approval.

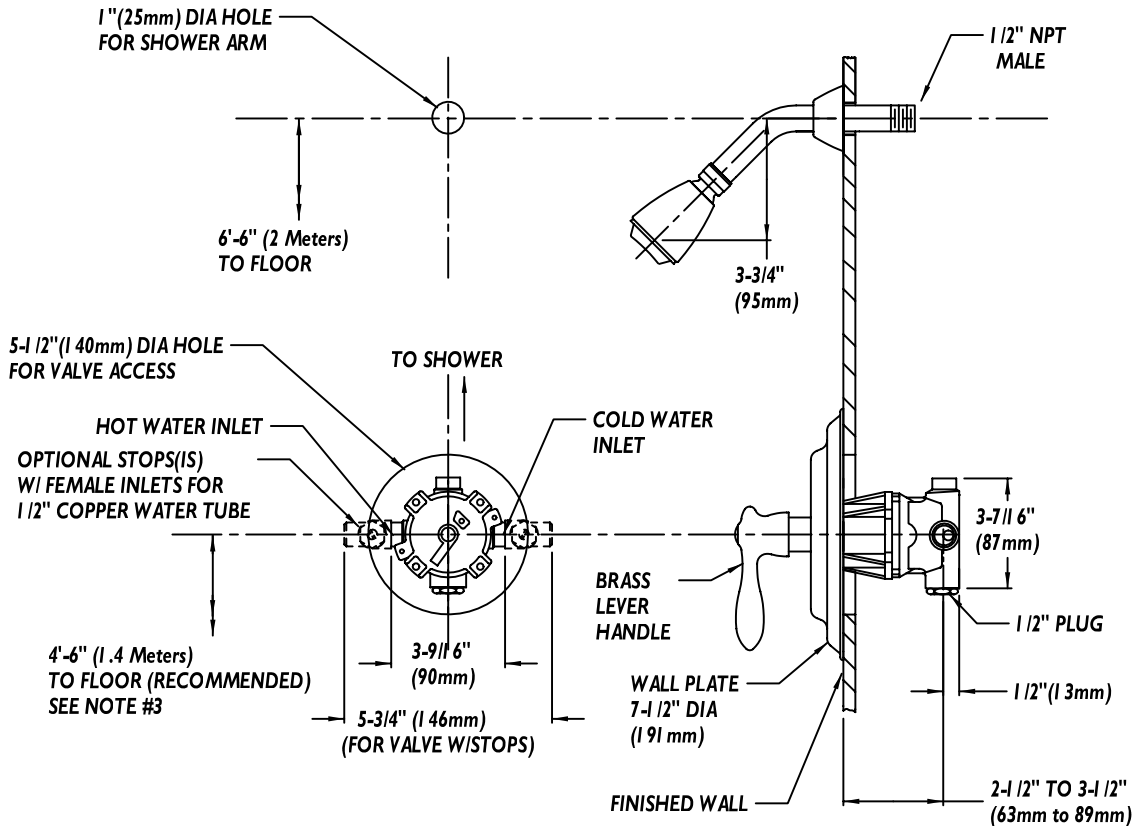


Rough-Ins

SM-2000



SM-2010



NOTE: All dimensions are in inches (millimeters) unless otherwise specified and are subject to change without notice. Unless otherwise specified, all inlets and outlets are 1/2" female copper sweat. For ADA mounting locations consult ADAAG, ANSI A117.1, or state regulations.