

SPEAKMAN®

SE-TW-EW

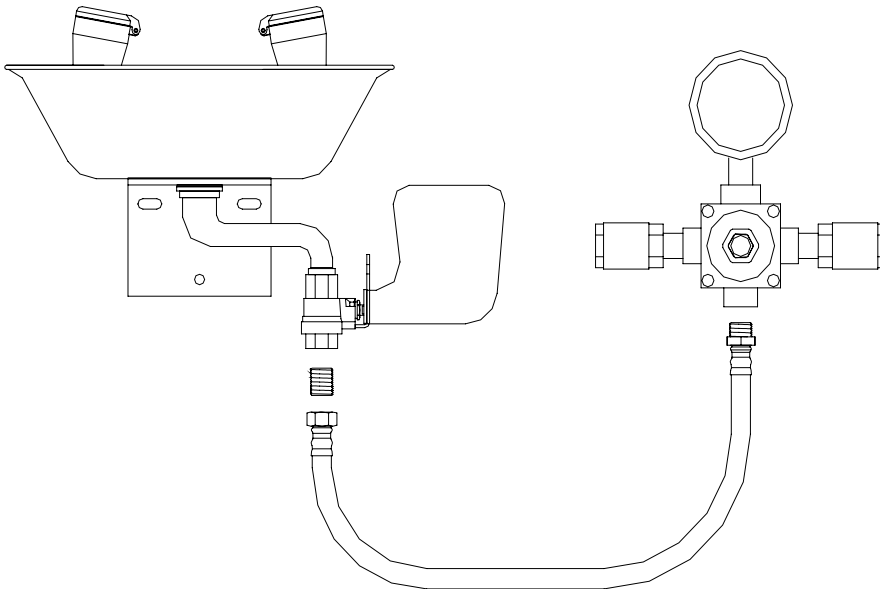
EYEWASH TEPID WATER KIT

DESCRIPTION

The SE-SE-TW Wall mounted Tepid Water System for use with emergency non-aerated eye/face wash. Tepid water kit includes SE-370 mixing valve and necessary fittings.

SPECIFICATIONS

Performance: 3.8 gpm @ 30 psi



Job Name _____
Location _____
Architect/Engineer _____
Sales Representative _____
Wholesaler _____
Date _____ Model # _____