

SPEAKMAN®

SE-701

EYESAVER® LABORATORY EYEWASHES AND SHOWERS

DESCRIPTION

Deck mounted laboratory shower supplied with stay-open full flow ball valves, flange with riser for deck mounting, shower head, and a deck mounted drench hose with aerated spray face and yellow plastic spray head with dust cover, activated by pull lever.

SPECIFICATIONS

Showerhead: 5" Chrome-Plated Brass with Holes.

Valve: 3/4" NPT Female Brass, Chrome-Plated.

Activator: Brass Pull Lever, Chrome-Plated.

Riser: 3/4" Chrome-Plated Brass.

Inlet: 3/4" NPSM

Drench Hose:

Spray Head: Aerated Spray Face with Yellow ABS Plastic Spray Head and Dust Cover

Valve: 3/4" NPT Female Brass Stay-Open, Chrome-Plated.

Activator: Brass Lever, Chrome-Plated.

Hose: 6' Reinforced, 750 psi. Burst Pressure

Finish: Polished Chrome.

Shower Performance: 30 gpm @ 30 psi

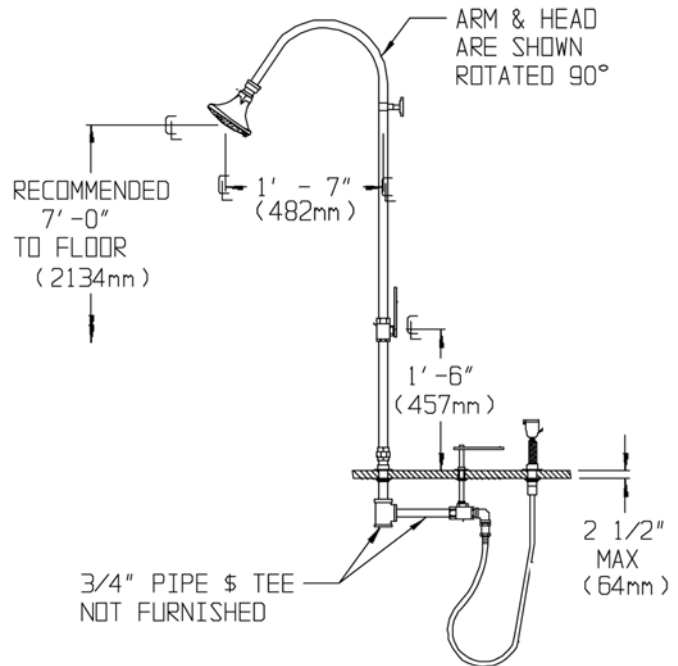
Drench Hose Performance: 3 gpm @ 20 psi

Compliance: ANSI Z358.1

Universal Emergency Sign Included

OPTIONS

- TEW Twin eyewashes
- FLW Flow switch
- FPV Anti-freeze protection valve
- VB Vacuum breaker
- SPV Anti-scald protection valve
- VPL Vapor proof light



Job Name _____	
Location _____	
Architect/Engineer _____	
Sales Representative _____	
Wholesaler _____	
Date _____	Model # _____