

SPEAKMAN®

SE-698

SAFE-T-ZONE® EMERGENCY SHOWER AND EYEWASH

DESCRIPTION

Floor mounted emergency deluge shower and aerated eyewash combination unit. Shower is supplied with a 1” NPTF self-closing full flow valve, activated by pull chain and ring. Eyewash is supplied with 1/2” NPTF stay-open full flow ball valve, activated by push handle.

SPECIFICATIONS

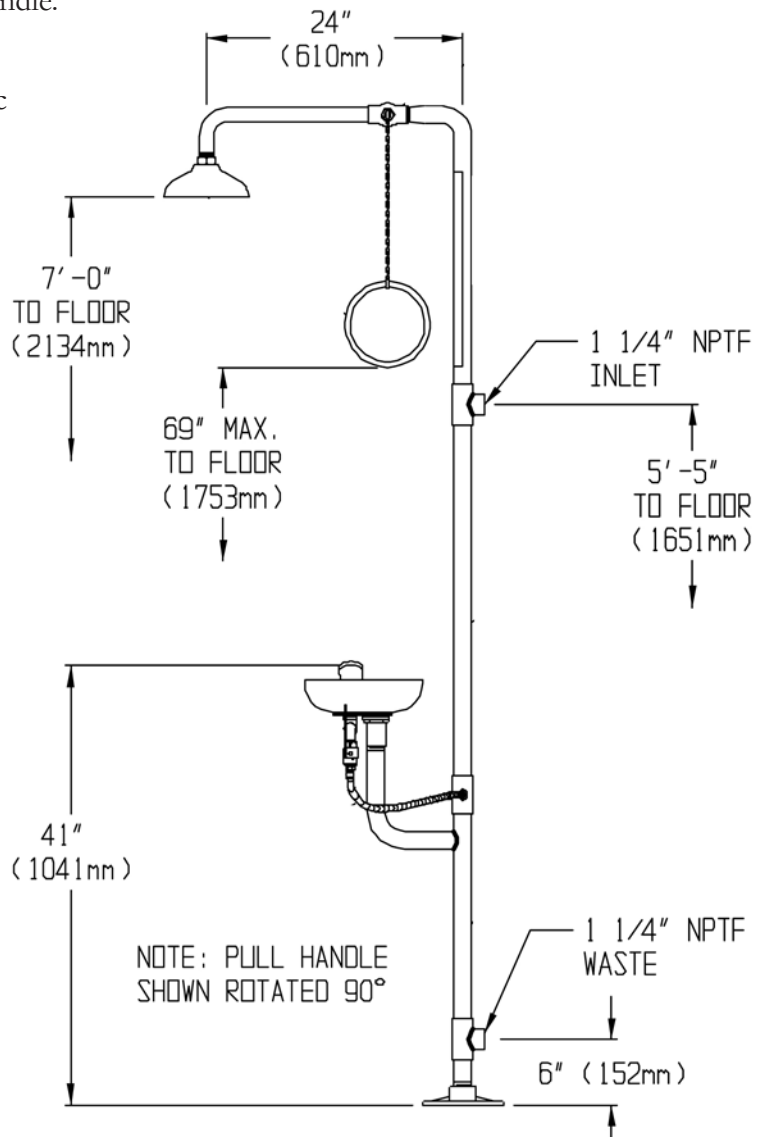
- Showerhead:** 8” Dia. Cyclac® Yellow Plastic
- Flow Control:** Internal 20 gpm Restrictor
- Valve:** 1” NPT Female Brass, Chrome-Plated.
- Full Flow Self-Closing Valve
- Activator:** 8” Stainless Steel Ring
- Stanchion:** 1-1/4” IPS Steel Piping with Brass Fittings
- Inlet & Waste:** 1-1/4” NPT Female
- Floor Flange:** Brass Casting with (3) 17/32” Dia. Mounting Holes on 9” Dia. Bolt Circle, Spaced 120° apart.
- Finish:** DuraJade™
- Shower Performance:** 20 gpm @ 30 psi

EYE/FACE WASH: SE-580-AER

- Bowl:** Yellow plastic
- Spray Heads:** (2) brass, chrome-plated, aerated with plastic dust caps
- Valve:** 1/2” NPTF brass, chrome-plated
- Activator:** Stainless steel push handle
- Inlet:** 1/2” NPTF
- Performance:** 3 gpm @ 20 psi
- Compliance:** ANSI Z358.1
- Universal Emergency Sign Included**

OPTIONS

- FLW Flow switch
- HS Hand-held spray
- XCH Extended chain
- PC Polished chrome showerhead
- BH Brass showerhead
- SSH Stainless steel showerhead
- FPV Anti-freeze protection valve
- SPV Anti-scald protection valve
- TS Top supply
- VPL Vapor proof light



Job Name _____
Location _____
Architect/Engineer _____
Sales Representative _____
Wholesaler _____
Date _____ Model # _____