

SPEAKMAN®

SE-697-ADA

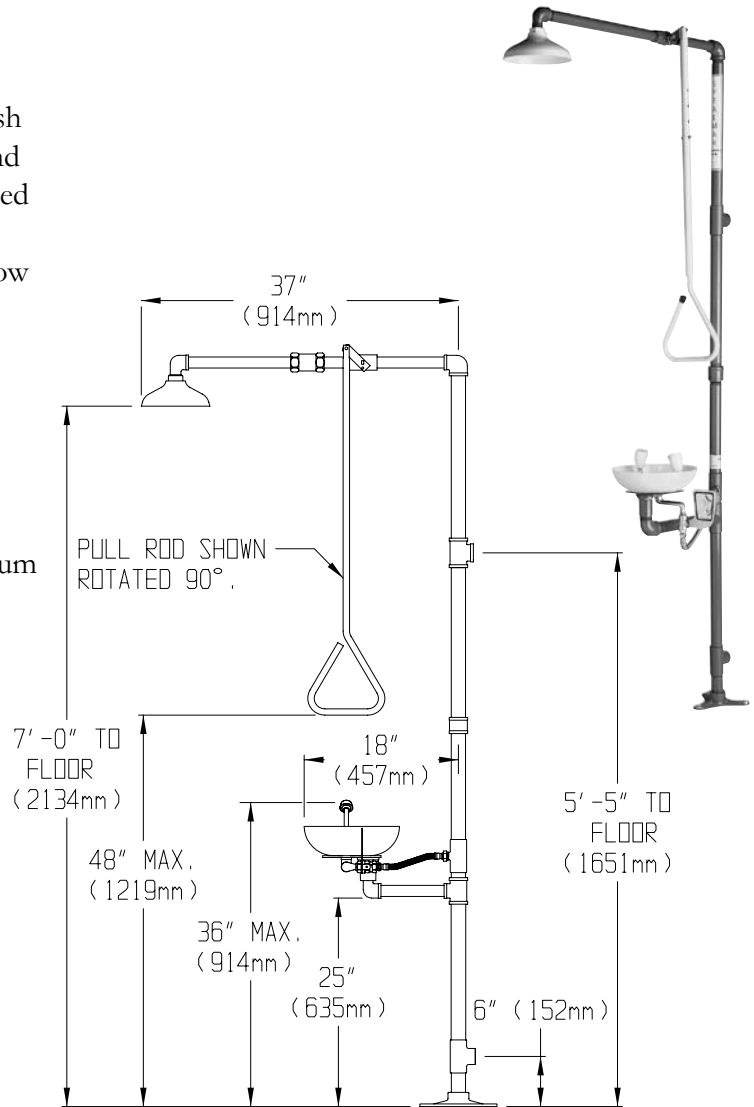
COMBINATION SHOWER & EYEWASH

DESCRIPTION

The SE-697-ADA Safe-T-Zone® features an eyewash with dual aerated spray outlets, flip top dust caps and round bowl combined on a powder coated galvanized steel stanchion with an impeller action deluge showerhead that is activated by a high visibility yellow pull rod. Unit designed for ADA accessibility.

SPECIFICATIONS

- Showerhead:** 8" Cyclac® yellow plastic
- Flow Control:** Internal 20 gpm regulator
- Valve:** 1" NPT female brass, chrome plated. Full flow stay open ball valve.
- Activator:** Extended powder coated yellow, aluminum triangular pull rod.
- Stanchion:** 1¼" IPS galvanized steel piping with brass fittings
- Inlet & Waste:** 1¼" NPT female
- Performance:** 20 gpm @ 20 psi
- Finish:** DuraJade™ powder coated finish
- EYEWASH: SE-580**
- Bowl:** Yellow plastic
- Spray Heads:** (2) aerated yellow plastic spray outlets with flip-top dust caps
- Valve:** ½" NPT female brass, chrome plated full flow stay-open ball valve
- Activator:** Stainless steel push handle
- Performance:** 3.6 gpm @ 30 psi
- Compliance:** ANSI Z358.1
- Universal Emergency Sign Included**



OPTIONS

- 30GPM 30gpm regulator
- FPV Freeze protection valve
- SPV Scald protection valve
- FLW Flow switch
- HS Hand held spray
- TS Top supply
- SSH Stainless steel showerhead
- SPR Stainless steel pull rod
- SSBV Stainless steel ball valves
- BH Chrome plated brass showerhead

Job Name _____	
Location _____	
Architect/Engineer _____	
Sales Representative _____	
Wholesaler _____	
Date _____	Model # _____