

SPEAKMAN®

SE-696

SAFE-T-ZONE® EMERGENCY SHOWER AND EYE/FACE WASH

DESCRIPTION

Floor mounted emergency deluge shower and non-aerated eye/face wash combination unit. Shower is supplied with a 1" NPTF self-closing full flow valve, activated by pull chain and ring. Eye/face wash is supplied with 1/2" NPTF stay-open full flow ball valve, activated by push handle.

SPECIFICATIONS

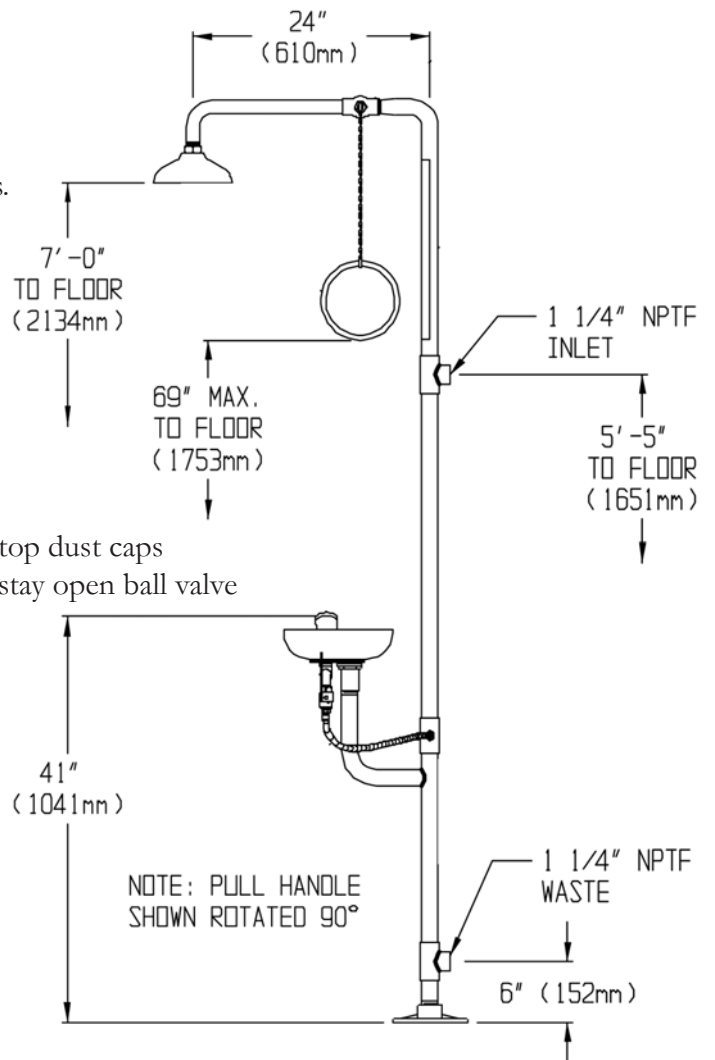
Showerhead: 8" Dia. Cylolac® Yellow Plastic.
Flow Control: Internal 20 gpm Regulator.
Valve: 1" NPT Female Brass, Chrome-Plated.
 Full Flow Stay-Open Valve.
Activator: 8" Stainless Steel Ring.
Stanchion: 1-1/4" IPS Steel Piping with Brass Fittings.
Inlet & Waste: 1-1/4" NPT Female.
Floor Flange: Brass Casting with (3) 17/32" Dia. Mounting Holes on 9" Dia. Bolt Circle, Spaced 120° apart.
Finish: DuraJade™
Shower Performance: 20 gpm @ 30 psi

EYE/FACE WASH: SE-495

Bowl: Yellow plastic
Spray Heads: (2) yellow plastic spray outlets with flip-top dust caps
Valve: 1/2" NPT female brass, chrome-plated full flow stay open ball valve
Activator: Stainless steel push handle
Performance: 3.8 gpm @ 30 psi
Compliance: ANSI Z358.1
Universal Emergency Sign Included

OPTIONS

- FLW Flow switch
- HS Hand-held spray
- XCH Extended chain
- PC Polished chrome showerhead
- BH Brass showerhead
- SSH Stainless steel showerhead
- FPV Anti-freeze protection valve
- HFO Hand & foot operation
- SPV Anti-scald protection valve
- TS Top supply
- VPL Vapor proof light



Job Name _____	
Location _____	
Architect/Engineer _____	
Sales Representative _____	
Wholesaler _____	
Date _____	Model # _____