

# SPEAKMAN®

## SE-695

### COMBINATION SHOWER & EYE/FACE WASH

#### DESCRIPTION

The SE-695 Safe-T-Zone® features the SE-495 eye/face wash with dual spray outlets, flip-top dust covers and stainless steel bowl combined on a powder coated galvanized steel stanchion with an impeller action deluge showerhead which is activated by a high visibility yellow pull rod.

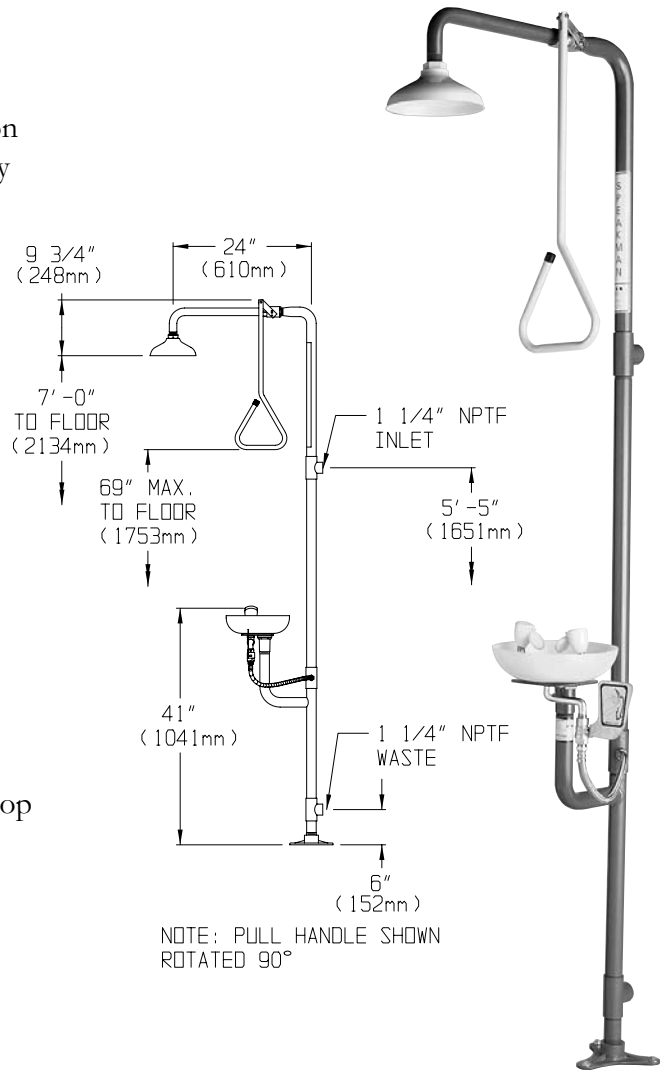
#### SPECIFICATIONS

- Showerhead:** 8" Cyclac® yellow plastic
- Flow Control:** Internal 20 gpm regulator
- Valve:** 1" NPT female brass, chrome-plated. Full flow stay open ball valve
- Activator:** Powder coated yellow, aluminum triangular pull rod
- Stanchion:** 1 1/4" IPS galvanized steel piping with brass fittings
- Inlet & Waste:** 1 1/4" NPT female
- Finish:** DuraJade™ powder coated finish
- Performance:** 20 gpm @ 20 psi
- EYE/FACE WASH: SE-495**
- Bowl:** Yellow plastic
- Spray Heads:** (2) yellow plastic spray outlets with flip-top dust caps
- Valve:** 1/2" NPT female brass, chrome-plated full flow stay open ball valve
- Activator:** Stainless steel push handle
- Performance:** 3.8 gpm @ 30 psi
- Compliance:** ANSI Z358.1

**Universal Emergency Sign Included**

#### OPTIONS

- 30GPM 30gpm regulator
- BH Brass showerhead
- FLW Flow switch
- FPV Freeze protection valve
- HFO Hand/Foot operation
- HS Hand-held spray
- SCV Self-closing shower valve
- SPR Stainless steel pull rod
- SPV Scald protection valve
- SSBV Stainless steel ball valve
- SSH Stainless steel showerhead
- TS Top supply
- XPR Extended aluminum pull rod



Job Name _____
Location _____
Architect/Engineer _____
Sales Representative _____
Wholesaler _____
Date _____ Model # _____

42828