

SPEAKMAN®

SE-693

COMBINATION SHOWER & EYEWASH

DESCRIPTION

The SE-693 Safe-T-Zone® features the SE-582 eyewash with dual aerated spray outlets, flip-top dust covers and stainless steel bowl combined on a powder coated galvanized steel stanchion with an impeller action deluge showerhead which is activated by a high visibility yellow pull rod.

SPECIFICATIONS

Showerhead: 8" Cyclocac® yellow plastic

Flow Control: Internal 20 gpm regulator

Valve: 1" NPT female brass, chrome plated.

Full flow stay open ball valve.

Activator: Powder coated yellow, aluminum triangular pull rod

Stanchion: 1 1/4" IPS galvanized steel piping with brass fittings

Inlet & Waste: 1 1/4" NPT female

Finish: DuraJade™ powder coated finish

Performance: 20 gpm @ 30 psi

EYEWASH: SE-582

Bowl: 300 series stainless steel

Spray Heads: (2) aerated yellow plastic spray outlets with flip-top dust caps

Valve: 1/2" NPT female brass, chrome plated full flow stay-open ball valve

Activator: Stainless steel push handle

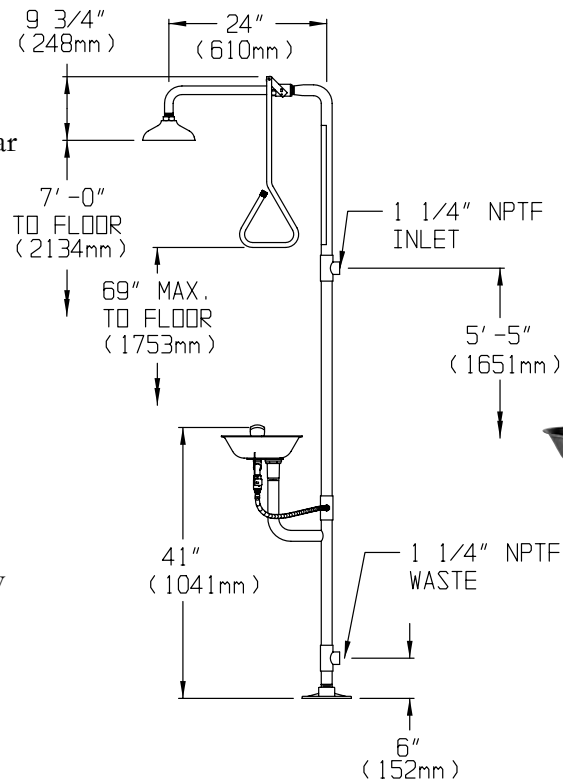
Performance: 3.6 gpm @ 30 psi

Compliance: ANSI Z358.1

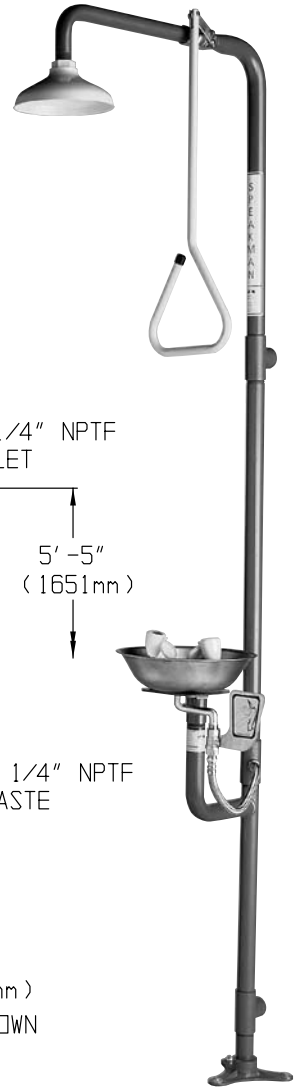
Universal Emergency Sign Included

OPTIONS

- 30GPM 30gpm regulator
- BH Brass showerhead
- FLW Flow switch
- FPV Freeze protection valve
- HFO Hand/Foot operation
- HS Hand held spray
- PSS Polished stainless steel finish
- SCV Self-closing shower valve
- SPR Stainless steel pull rod
- SPV Scald protection valve
- SSBV Stainless steel ball valves
- SSH Stainless steel showerhead
- TS Top supply
- SXPR Extended stainless steel pull rod



NOTE: PULL HANDLE SHOWN ROTATED 90°



Job Name _____
Location _____
Architect/Engineer _____
Sales Representative _____
Wholesaler _____
Date _____ Model # _____

42426