

SPEAKMAN®

SE-690-PVC

COMBINATION SHOWER & EYE/FACE WASH

DESCRIPTION

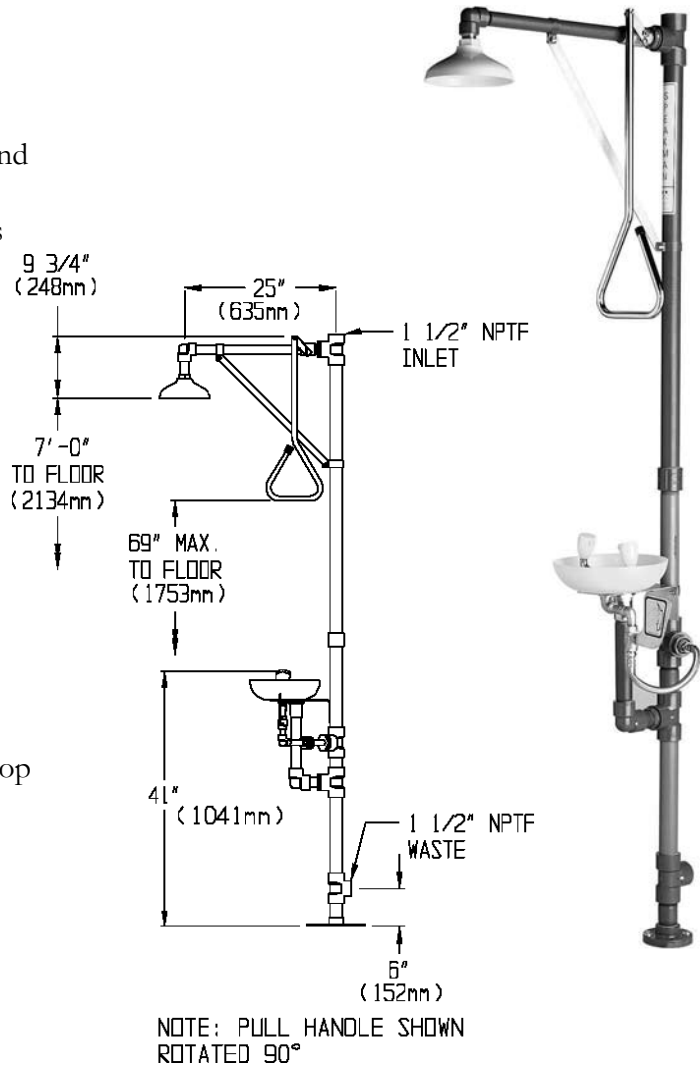
The SE-690-PVC Safe-T-Zone® features an eye/face wash with dual spray outlets, flip top dust caps and round bowl combined on a PVC stanchion with an impeller action deluge showerhead that is activated by a stainless steel pull rod.

SPECIFICATIONS

Showerhead: 8" Cyclac® yellow plastic
Flow Control: Internal 20 gpm regulator
Valve: 1" NPT female 300 series stainless steel.
 Full flow stay open ball valve.
Activator: 300 series stainless steel triangular pull rod
Stanchion: 1½" schedule 80 PVC
Inlet & Waste: 1½" NPT female
Performance: 20 gpm @ 30 psi

EYE/FACE WASH: SE-495

Bowl: Yellow plastic
Spray Heads: (2) yellow plastic spray outlets with flip-top dust caps
Valve: ½" NPT female 300 series steel.
 Full flow stay-open ball valve
Activator: Stainless steel push handle
Inlet: ½" NPT female
Performance: 3.8 gpm @ 30 psi
Compliance: ANSI Z358.1
Universal Emergency Sign Included



OPTIONS

- 30GPM 30gpm regulator
- HFO Hand foot operation
- FPV Freeze protection valve
- SPV Scald protection valve
- FLW Flow switch
- HS Hand held spray
- SSH Stainless steel showerhead
- BH Chrome plated brass showerhead
- 30GPM 30 GPM flow regulator

Job Name _____	
Location _____	
Architect/Engineer _____	
Sales Representative _____	
Wholesaler _____	
Date _____	Model # _____

424