

SPEAKMAN®

SE-690-ADA

COMBINATION SHOWER & EYE/FACE WASH

DESCRIPTION

The SE-690-ADA Safe-T-Zone® features the SE-490 eye/face wash, modified with an extended bowl, with dual spray outlets, flip-top dust covers and stainless steel bowl combined on a powder coated galvanized steel stanchion with an impeller action deluge showerhead which is activated by an extended high visibility yellow pull rod. Unit designed for ADA accessibility.

SPECIFICATIONS

Showerhead: 8" Cyclac® yellow plastic

Flow Control: Internal 20 gpm regulator

Valve: 1" NPT female brass, chrome-plated.

Full flow stay open ball valve

Activator: Powder coated yellow, extended aluminum triangular pull rod

Stanchion: 1¼" IPS galvanized steel piping with brass fittings

Inlet & Waste: 1¼" NPT female

Finish: DuraJade™ powder coated green finish

Performance: 20 gpm @ 20 psi

EYE/FACE WASH: SE-490

Bowl: 300 series stainless steel.

Spray Heads: (2) yellow plastic spray outlets with flip-top dust caps

Valve: ½" NPT female brass, chrome-plated full flow stay open ball valve

Activator: Stainless steel push handle

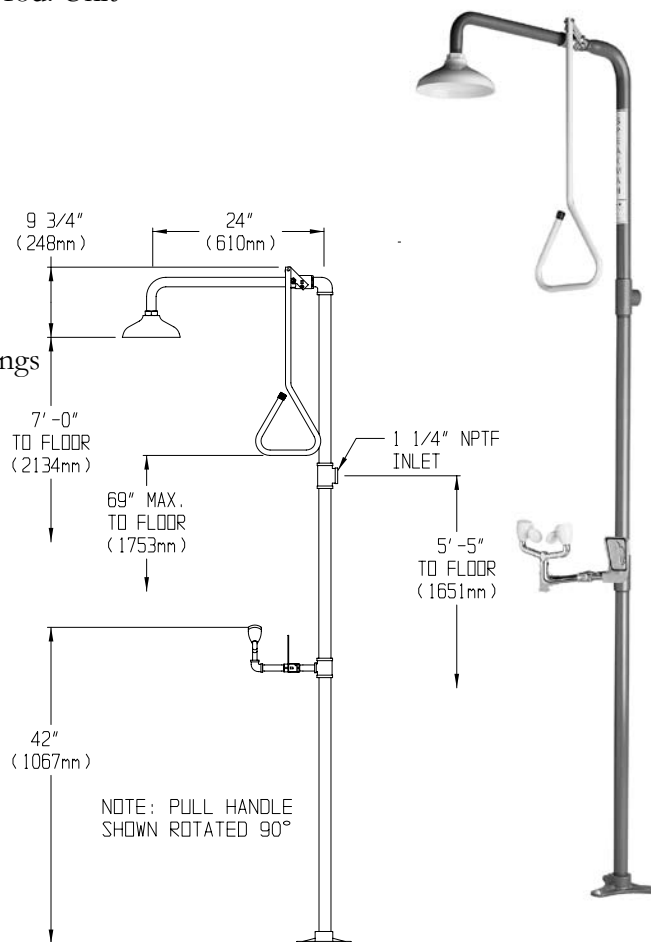
Performance: 3.8 gpm @ 30 psi

Compliance: ANSI Z358.1

Universal Emergency Sign Included

OPTIONS

- 30GPM 30gpm regulator
- BH Brass showerhead
- FLW Flow switch
- FPV Freeze protection valve
- HFO Hand/Foot operation
- HS Hand-held spray
- SCV Self-closing shower valve
- SPR Stainless steel pull rod
- SPV Scald protection valve
- SSBV Stainless steel ball valve
- SSH Stainless steel showerhead
- TS Top supply



Job Name _____	
Location _____	
Architect/Engineer _____	
Sales Representative _____	
Wholesaler _____	
Date _____	Model # _____