

SPEAKMAN®

SE-627

SAFE-T-ZONE® EMERGENCY SHOWER AND EYE/FACE WASH

DESCRIPTION

Floor mounted emergency deluge shower and eye/face wash combination unit. Shower is supplied with a 1" NPTF Stay open full flow ball valve, activated by triangular pull handle. Eye/face wash is supplied with 1/2" NPTF stay open full flow ball valve, activated by push handle.

SPECIFICATIONS

Showerhead: 8" diameter stainless steel

Flow Control: Internal 20 gpm restrictor

Valve: 1" NPT female stainless steel.

Full flow stay-open ball valve

Activator: Stainless steel triangular pull rod

Stanchion: 1 1/2" stainless steel, 18 gauge tubing

Inlet & Waste: 1/4" NPT male

Finish: Stainless steel

Performance: 20 gpm @ 20 psi

EYE/FACE WASH: SE-495

Bowl: Yellow plastic

Spray Heads: (2) yellow plastic spray

outlets with flip-top dust caps

Valve: 1/2" NPT stainless steel

Activator: Stainless steel push handle

Inlet: 1/2" NPT female

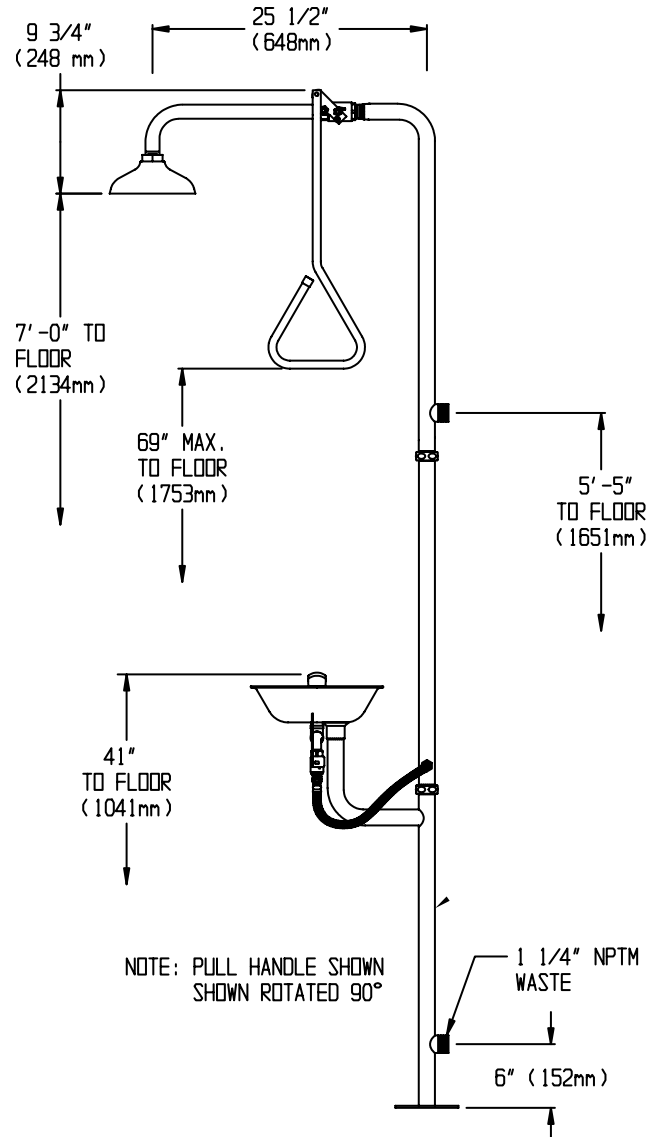
Performance: 3.8 gpm @ 30 psi

Compliance: ANSI Z358.1

Universal Emergency Sign Included

OPTIONS

- 30GPM 30gpm regulator
- XPR Extended pull rod
- HS Hand-held spray
- FLW Flow switch
- FPV Freeze protection valve
- SPV Scald protection valve



Job Name _____
Location _____
Architect/Engineer _____
Sales Representative _____
Wholesaler _____
Date _____ Model # _____