

# SPEAKMAN®

## SE-625-ADA-SS

### COMBINATION SHOWER & EYE/FACE WASH

#### DESCRIPTION

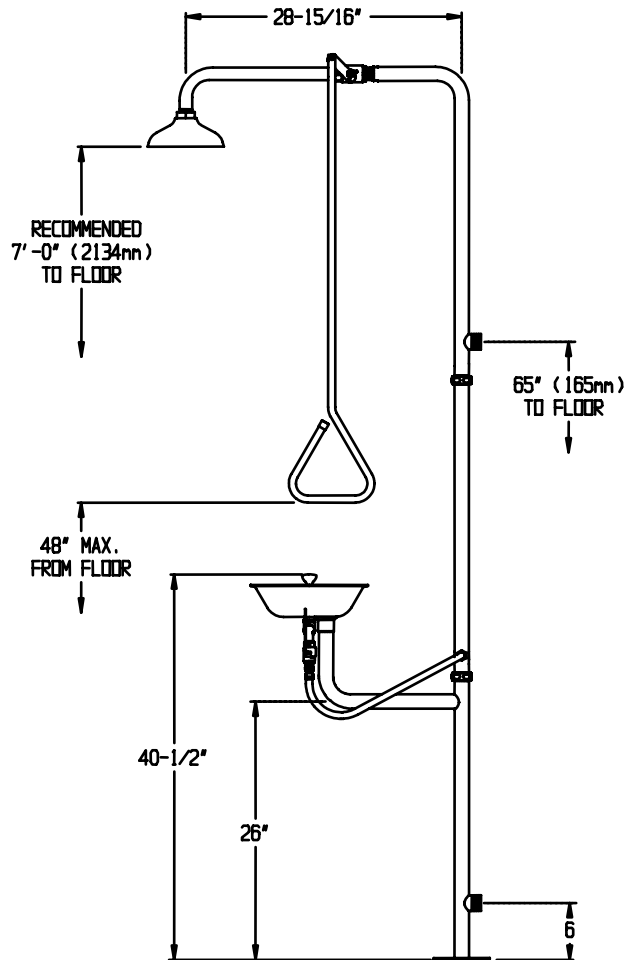
Floor mounted, handicap accessible, emergency deluge shower and non-aerated eye/face wash combination unit. All stainless steel components. Shower is supplied with a 1" NPTF stay-open full flow ball valve, activated by triangular pull handle. Eye/face wash is supplied with 1/2" NPTF stay-open full flow ball valve, activated by push handle.

#### SPECIFICATIONS

- Showerhead:** 8" diameter stainless steel
- Flow Control:** Internal 20 gpm regulator
- Valve:** 1" NPT female stainless steel.
- Full flow stay open ball valve
- Activator:** Stainless steel tube
- Stanchion:** 1½" stainless steel, 18 gauge tubing
- Inlet & Waste:** 1¼" NPT male
- Performance:** 20 gpm @ 30 psi
- Finish:** Stainless steel
- EYE/FACE WASH: SE-490-SS**
- Bowl:** 300 series stainless steel
- Spray Heads:** (6) brass, chrome-plated, aerated
- Valve:** ½" NPT female stainless steel
- Activator:** Stainless steel push handle
- Shrouds:** Yellow polypropylene
- Strainer:** Brass, chrome-plated, in-line
- Performance:** 9.3 gpm @ 30 psi
- Compliance:** ANSI Z358.1
- Universal Emergency Sign Included**

#### OPTIONS

- 30GPM 30gpm regulator
- FLW Flow switch
- FPV Freeze protection valve
- HFO Hand/Foot operation
- HS Hand-held spray
- PSS Polished stainless steel finish
- SPV Scald protection valve
- TS Top supply



Job Name _____	
Location _____	
Architect/Engineer _____	
Sales Representative _____	
Wholesaler _____	
Date _____	Model # _____