

SPEAKMAN®

SE-621

COMBINATION SHOWER & EYE/FACE WASH

DESCRIPTION

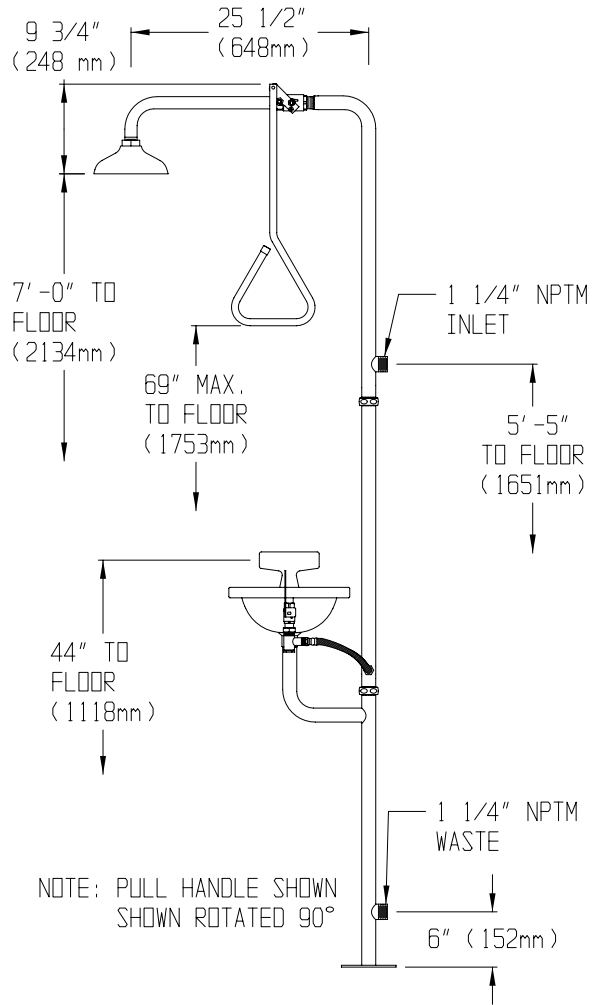
The SE-621 Safe-T-Zone® features the SE-401 eye/face wash with six aerated sprays and rectangular plastic bowl combined on a stainless steel stanchion with an impeller action deluge showerhead which is activated by a stainless steel pull rod.

SPECIFICATIONS

- Showerhead:** 8" diameter stainless steel
- Flow Control:** Internal 20 gpm regulator
- Valve:** 1" NPT female stainless steel.
- Full flow stay open ball valve
- Activator:** Stainless steel triangular pull rod
- Stanchion:** 1½" stainless steel, 18 gauge tubing
- Inlet & Waste:** 1¼" NPT male
- Performance:** 20 gpm @ 30 psi
- Finish:** Stainless steel
- EYE/FACE WASH: SE-401**
- Bowl:** Acrylic/pvc thermoplastic.
- Spray Heads:** (6) brass, chrome-plated aerated.
- Valve:** ½" NPT female brass, chrome-plated.
- Activator:** Stainless steel push handle.
- Shrouds:** Yellow polypropylene.
- Inlet:** ½" NPT female.
- Strainer:** Brass, chrome-plated in-line.
- Performance:** 9.3 gpm @ 30 psi
- Compliance:** ANSI Z358.1
- Universal Emergency Sign Included**

OPTIONS

- 30GPM 30gpm regulator
- FLW Flow switch
- FPV Freeze protection valve
- HFO Hand/Foot operation
- HS Hand-held spray
- PSS Polished stainless steel finish
- SPV Scald protection valve
- TS Top supply



| |
|----------------------------|
| Job Name _____ |
| Location _____ |
| Architect/Engineer _____ |
| Sales Representative _____ |
| Wholesaler _____ |
| Date _____ Model # _____ |