

# SPEAKMAN®

## SE-619

### SAFE-T-ZONE® EMERGENCY SHOWER AND EYEWASH

**DESCRIPTION**

Floor mounted emergency deluge shower and aerated eyewash combination unit. Both shower and eye/face wash is supplied with a frost-proof hydrant, activated by panic handle.

**SPECIFICATIONS**

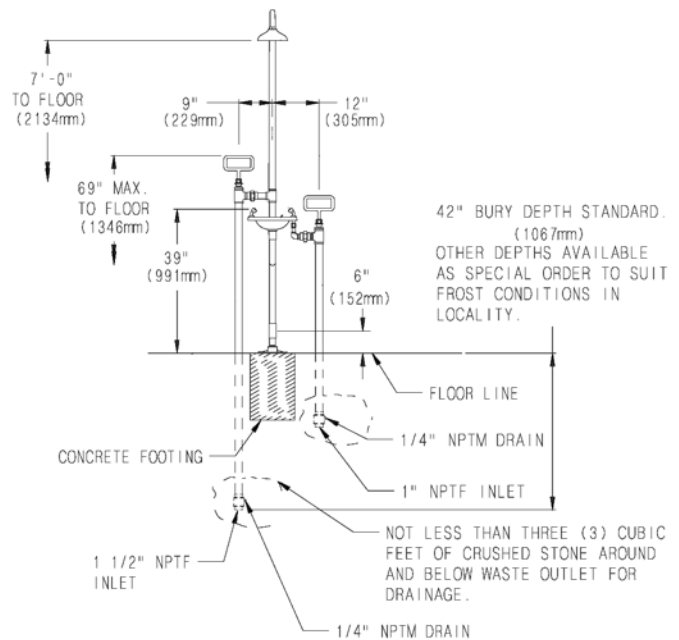
- Showerhead:** 8" Dia. Cyclac® Yellow Plastic
- Flow Control:** Internal 20 gpm Regulator.
- Frost-Proof Hydrant:** 1-1/2" NPT Female Brass.
- Activator:** 3/4" Dia. Brass Casted Handle.
- Stanchion:** 1-1/4" IPS Steel Piping.
- Inlet:** 1-1/2" NPT Female (Shower) 1" NPT Female (Eye/Face Wash)
- Waste:** 1-1/4" NPT Female.
- Floor Flange:** Brass Casting with (3) 17/32" Dia. Mounting Holes on 9" Dia. Bolt Circle, Spaced 120° apart.
- Finish:** DuraJade™
- Shower Performance:** 20 gpm @ 30 psi

**EYEWASH: SE-506**

- Bowl:** Acrylic/PVC thermoplastic
- Spray Heads:** (2) yellow, plastic, aerated
- Valve:** 1/2" NPT female brass, chrome-plated
- Activator:** Stainless steel push handle
- Inlet:** 1/2" NPT female
- Performance:** 3.0 gpm @ 30 psi
- Compliance:** ANSI Z358.1
- Universal Emergency Sign Included**

**OPTIONS**

- FLW Flow switch
- HS Hand-held spray
- XCH Extended chain
- PC Polished chrome showerhead
- BH Brass showerhead
- SSH Stainless steel showerhead
- FPV Anti-freeze protection valve
- SPV Anti-scald protection valve
- TS Top supply
- VPL Vapor proof light



Job Name _____
Location _____
Architect/Engineer _____
Sales Representative _____
Wholesaler _____
Date _____ Model # _____