

SPEAKMAN®

SE-618

EYEWASH DECONTAMINATION STATION

DESCRIPTION

The SE-618 is a floor mounted emergency deluge shower and aerated eyewash combination unit. Both shower and eyewash are supplied with a frost-proof hydrant, activated by panic handle.

SPECIFICATIONS

- Showerhead:** 8" diameter Cicolac® yellow plastic
- Frost Proof Hydrant:** 1½" NPT female brass
- Standard Bury Depth:** 42"
- Flow Control:** Internal 20 gpm regulator
- Full flow stay-open ball valve
- Activator:** ¾" dia. brass casted handle
- Stanchion:** 1¼" IPS steel piping
- Inlet:** 1½" NPT female
- Waste:** 1¼" NPT female
- Finish:** DuraJade™ powder coated finish
- Performance:** 20 gpm @ 20 psi

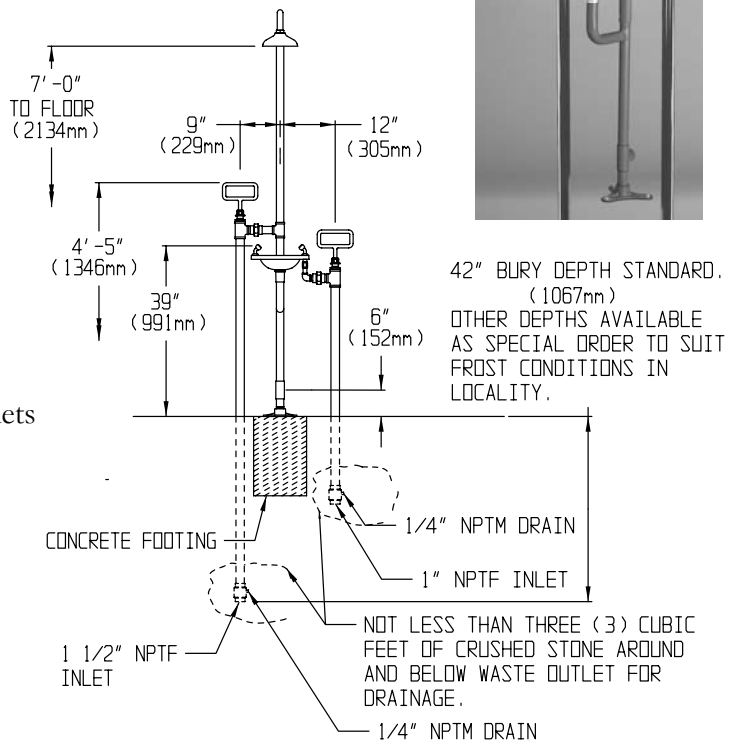
EYEWASH: SE-505

- Bowl:** 300 series stainless steel
- Spray Heads:** (2) aerated yellow nylon spray outlets
- Frost Proof Hydrant:** 1" NPT female brass
- Standard Bury Depth:** 42"
- Activator:** ¾" Dia. Brass Casted Handle
- Inlet:** 1" NPT female
- Performance:** 3.0 gpm @ 30 psi
- Compliance:** ANSI Z358.1
- Universal Emergency Sign Included**

NOTE: The maximum "static" pressure allowable for this unit is 80psi

OPTIONS

- 30GPM 30gpm regulator
- FLW2 Flow switches (2 Required)
- PC Polished chrome showerhead
- BH Brass showerhead
- SSH Stainless steel showerhead



Job Name _____	
Location _____	
Architect/Engineer _____	
Sales Representative _____	
Wholesaler _____	
Date _____	Model # _____