

SPEAKMAN®

SE-617

SAFE-T-ZONE® EMERGENCY SHOWER AND EYEWASH

DESCRIPTION

Floor mounted emergency deluge shower and aerated eyewash combination unit. Shower is supplied with a 1” NPTF stay-open full flow ball valve, activated by triangular pull handle. Eyewash is supplied with 1/2” NPTF stay-open full flow ball valve, activated by push handle.

SPECIFICATIONS

Showerhead: 8” Dia. Cyclac® Yellow Plastic

Flow Control: Internal 20 gpm Regulator

Valve: 1” NPT Female Brass, Chrome-Plated. Full Flow Stay-Open Ball Valve

Activator: Stainless Steel Tube

Stanchion: 1-1/4” IPS Steel Piping with Brass Fittings

Inlet & Waste: 1-1/4” NPT Female.

Floor Flange: Brass Casting with (3) 17/32” Dia. Mounting Holes on 9” Dia. Bolt Circle, Spaced 120° apart.

Finish: DuraJade™

Shower Performance: 20 gpm @ 30 psi

EYEWASH: SE-506

Bowl: Acrylic/PVC thermoplastic

Spray Heads: (2) yellow, plastic, aerated

Valve: 1/2” NPT female brass, chrome-plated

Activator: Stainless steel push handle

Inlet: 1/2” NPT female

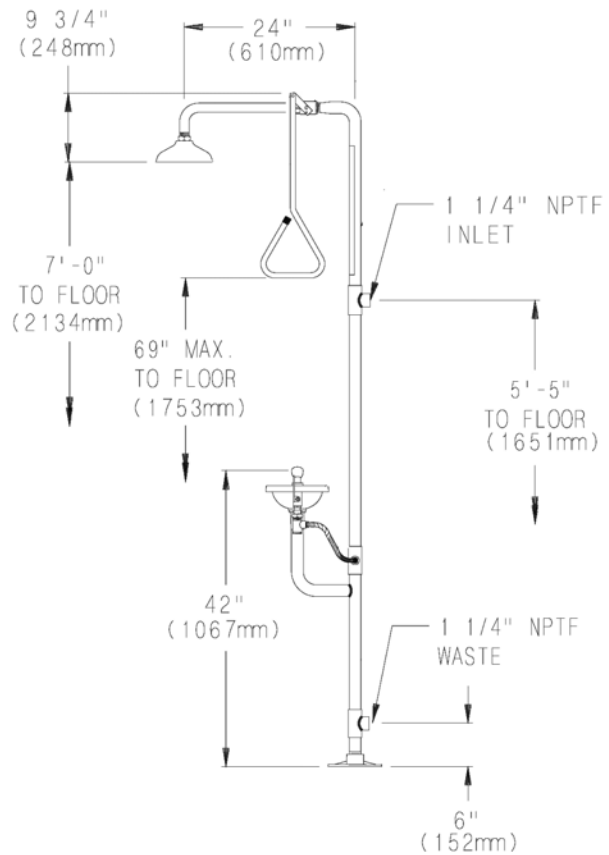
Performance: 3.0 gpm @ 30 psi

Compliance: ANSI Z358.1

Universal Emergency Sign Included

OPTIONS

- FLW Flow switch
- HS Hand-held spray
- XCH Extended chain
- PC Polished chrome showerhead
- BH Brass showerhead
- SSH Stainless steel showerhead
- FPV Anti-freeze protection valve
- SPV Anti-scald protection valve
- TS Top supply
- VPL Vapor proof light



NOTE: PULL HANDLE SHOWN ROTATED 90°

Job Name _____
Location _____
Architect/Engineer _____
Sales Representative _____
Wholesaler _____
Date _____ Model # _____