

# SPEAKMAN®

## SE-612

### SAFE-T-ZONE® EMERGENCY SHOWER AND EYEWASH

#### DESCRIPTION

The SE-612 is a floor mounted emergency deluge shower and aerated eyewash combination unit. Shower is supplied with a 1" NPTF stay-open full flow ball valve, activated by triangular pull handle. Eyewash is supplied with 1/2" NPTF stay-open full flow ball valve, activated by trigger bar and/or foot pedal.

#### SPECIFICATIONS

**Showerhead:** 8" diameter Cicolac® yellow plastic

**Flow Control:** Internal 20 gpm regulator

**Valve:** 1" NPT female brass, chrome-plated. Full flow stay-open ball valve.

**Activator:** Powder coated yellow, aluminum triangular pull rod.

**Stanchion:** 1 1/4" IPS galvanized steel piping with brass fittings.

**Inlet & Waste:** 1 1/4" NPT female

**Floor Flange:** Brass casting with (3) 17/32" dia. mounting holes on 9" dia. bolt circle, spaced 120° apart.

**Finish:** DuraJade™ powder coated finish

#### EYE/FACE WASH: SE-505

**Bowl:** 300 series stainless steel

**Spray Heads:** (2) yellow, plastic, aerated

**Valve:** 1/2" NPT female brass, chrome-plated

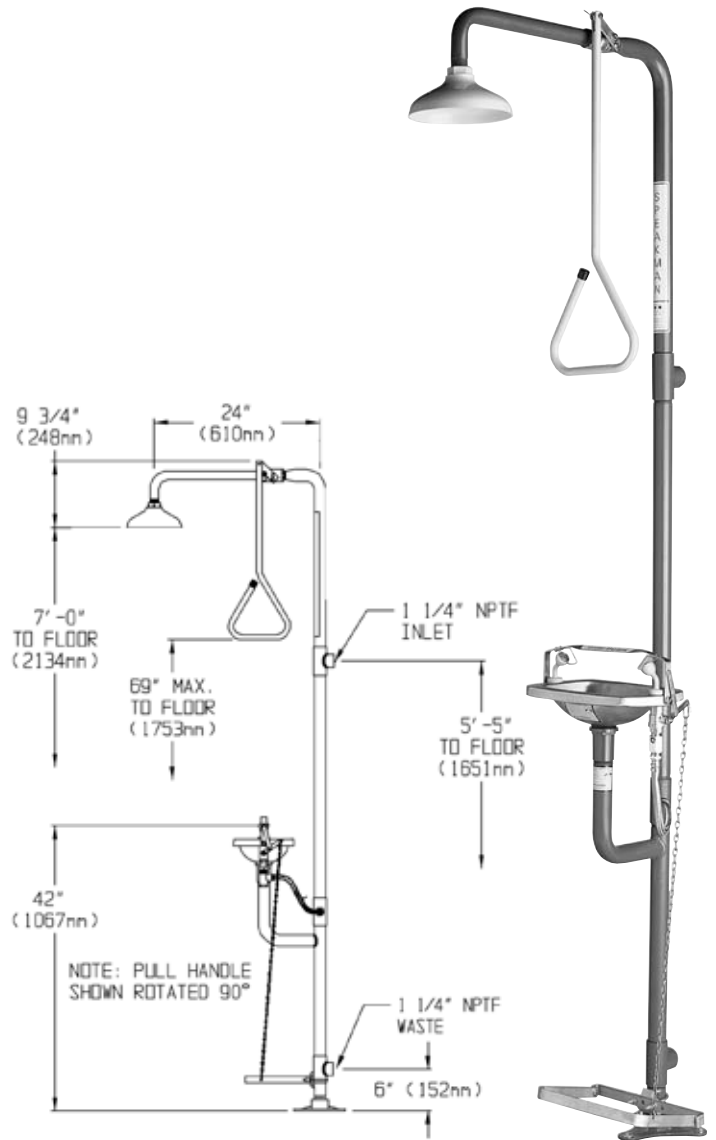
**Activator:** Stainless steel trigger bar

**Inlet:** 1/2" NPT female

**Performance:** 3.0 gpm @ 30 psi

**Compliance:** ANSI Z358.1

**Universal Emergency Sign Included**



#### OPTIONS

- 30GPM 30gpm regulator
- FLW2 Flow switches (2 Required)
- SSH Stainless steel showerhead
- BH Chrome plated brass showerhead
- XPR Extended pull rod
- HS Hand-held spray
- PC Polished chrome showerhead
- FPV Anti-freeze protection valve
- SPV Anti-scald protection valve
- 402  TS Top supply

Job Name _____	
Location _____	
Architect/Engineer _____	
Sales Representative _____	
Wholesaler _____	
Date _____	Model # _____