

SPEAKMAN®

SE-605

SAFE-T-ZONE® EMERGENCY SHOWER AND EYE/FACE WASH

DESCRIPTION

Floor mounted emergency deluge shower and aerated eye/face wash combination unit. Shower is supplied with a 1" NPTF self-closing valve, activated by a pull chain and ring. Eye/face wash is supplied with 1/2" NPTF stay-open full flow ball valve, activated by push handle and/or foot pedal.

SPECIFICATIONS

Showerhead: 8" diameter Cyclac® yellow plastic

Flow Control: Internal 20 gpm regulator

Valve: 1" NPT female brass, chrome plated.
Self-closing valve.

Activator: 8" diameter stainless steel ring

Stanchion: 1 1/4" IPS galvanized steel piping with brass fittings

Inlet & Waste: 1 1/4" NPT female

Finish: DuraJade™™ powder coated finish

Performance: 20 gpm @ 20 psi flowing

EYE/FACE WASH: SE-400

Bowl: 300 series stainless steel

Spray Heads: (6) brass, chrome-plated aerators,
plastic covered brass bodies

Valve: 1/2" NPT female brass, chrome-plated

Activator: Stainless steel push handle

Shrouds: Yellow Polypropylene

Inlet: 1/2" NPT female

Strainer: Brass, chrome-plated, in-line

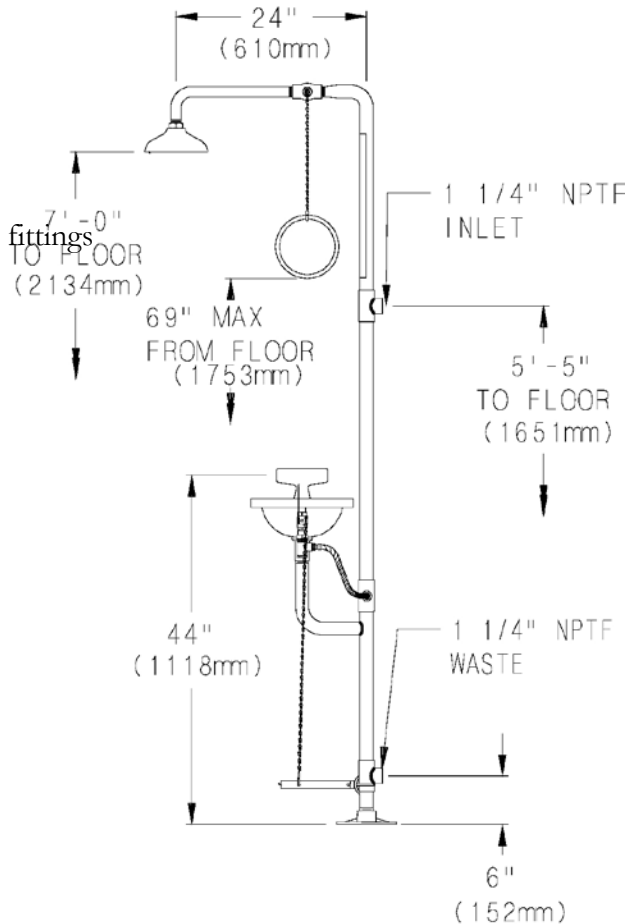
Performance: 9.3 gpm @ 30 psi

Compliance: ANSI Z358.1

Universal Emergency Sign Included

OPTIONS

- 30GPM 30gpm regulator
- FLW Flow switch
- HS Hand-held spray
- PC Polished chrome showerhead
- BH Brass showerhead
- SSH Stainless steel shower head
- FPV Freeze protection valve
- SSBV1 1" stainless steel valve
- SSBV2 1/2" stainless steel valve
- TS Top supply
- SPV Scald protection valve
- XCH Extended chain



Job Name _____
Location _____
Architect/Engineer _____
Sales Representative _____
Wholesaler _____
Date _____ Model # _____