

SPEAKMAN®

SE-604

SAFE-T-ZONE® EMERGENCY SHOWER AND EYE/FACE WASH

DESCRIPTION

The SE-604 Safe-T-Zone® features the SE-400 eye/face wash with six aerated sprays and rectangular stainless steel bowl combined on a powder coated galvanized steel stanchion with an impeller action deluge showerhead which is activated by a high visibility yellow pull rod.

SPECIFICATIONS

Showerhead: 8" Cylolac® yellow plastic

Flow Control: Internal 20 gpm regulator

Valve: 1" NPT female brass, chrome plated.

Full flow stay open ball valve.

Activator: Powder coated yellow, aluminum triangular pull rod

Stanchion: 1 1/4" IPS galvanized steel piping with brass fittings

Inlet & Waste: 1 1/4" NPT female

Finish: DuraJade™ powder coated finish

Performance: 20 gpm @ 20 psi flowing

EYE/FACE WASH: SE-401

Bowl: Acrylic/pvc thermoplastic.

Spray Heads: (6) brass, chrome-plated aerated.

Valve: 1/2" NPT female brass, chrome-plated.

Activator: Stainless steel push handle.

Shrouds: Yellow polypropylene.

Inlet: 1/2" NPT female.

Strainer: Brass, chrome-plated in-line.

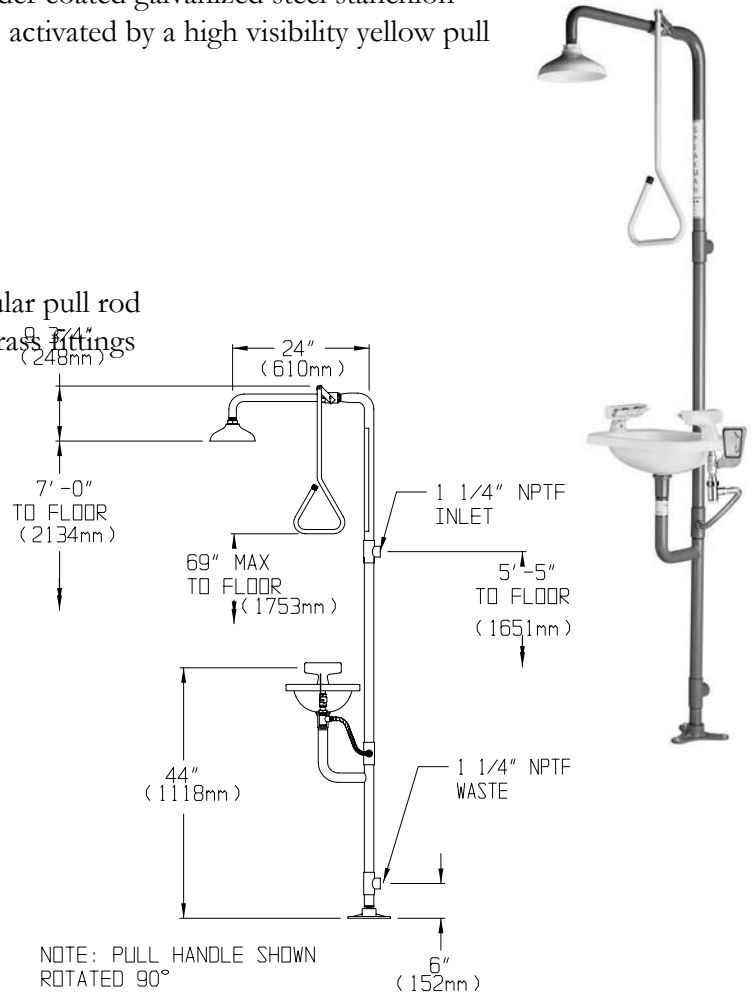
Performance: 9.3 gpm @ 30 psi

Compliance: ANSI Z358.1

Universal Emergency Sign Included

OPTIONS

- 30GPM 30gpm regulator
- XPR Extended pull rod
- FLW Flow switch
- HS Hand-held spray
- PC Polished chrome showerhead
- BH Brass showerhead
- SSH Stainless steel shower hand
- FPV Freeze protection valve
- SSBV1 1" stainless steel valve
- SSBV2 1/2" stainless steel valve
- TS Top supply
- SPV Scald protection valve



Job Name _____
Location _____
Architect/Engineer _____
Sales Representative _____
Wholesaler _____
Date _____ Model # _____