

SPEAKMAN®

SE-603-ADA

SAFE-T-ZONE® EMERGENCY SHOWER AND EYE/FACE WASH

DESCRIPTION

Floor mounted emergency deluge shower and aerated eye/face wash combination unit. Shower is supplied with a 1" NPTF stay-open full flow ball valve, activated by triangular pull handle. Eye/face wash is supplied with 1/2" NPTF stay-open full flow ball valve, activated by push handle.

SPECIFICATIONS

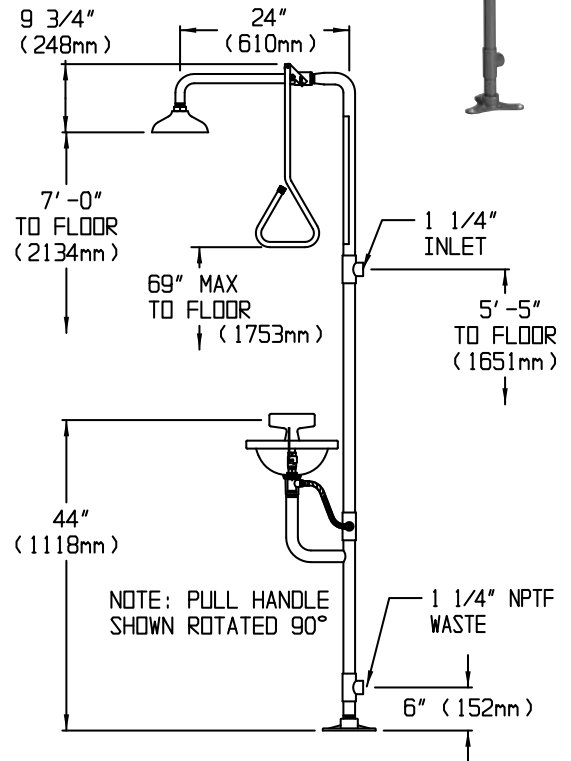
Showerhead: 8" Dia. CYCOLAC® Yellow Plastic.
Flow Control: Internal 20 gpm Restrictor.
Valve: 1" NPT Female Brass, Chrome-Plated. Full Flow Stay-Open Ball Valve.
Activator: Powder Coated Yellow, Aluminum Triangular Pull Rod.
Stanchion: 1-1/4" IPS Steel Piping with Brass Fittings.
Inlet & Waste: 1-1/4" NPT Female.
Floor Flange: Brass Casting
Finish: DuraJade™

EYE/FACE WASH: SE-400

Bowl: 300 series stainless steel
Spray Heads: (6) brass, chrome-plated aerators, plastic covered brass bodies
Valve: 1/2" NPT female brass, chrome-plated
Activator: Stainless steel push handle
Inlet: 1/2" NPT female
Strainer: Brass, chrome-plated, in-line
Performance: 9.3 gpm @ 30 psi
Compliance: ANSI Z358.1
Universal Emergency Sign Included

OPTIONS

- 30GPM 30gpm regulator
- BH Chrome plated brass showerhead
- FLW Flow switch
- FPV Freeze protection valve
- HFO Hand foot operation
- HS Hand held spray
- PC Polished chrome showerhead
- SPR Stainless steel pull rod
- SPV Scald protection valve
- SSBV1 1" stainless steel ball valves
- SSBV2 1/2" stainless steel ball valves
- SSH Stainless steel showerhead
- TS Top supply



Job Name _____	
Location _____	
Architect/Engineer _____	
Sales Representative _____	
Wholesaler _____	
Date _____	Model # _____