

SPEAKMAN®

SE-575-SD-237 & SE-575-SD-238

EYESAVER® EYE/FACE WASH & SAFE-T-ZONE® EMERGENCY SURFACE MOUNTED WALL SHOWER

DESCRIPTION

Barrier-Free wall mounted emergency eye/face wash. Unit supplied with plastic spray heads, with individual flow restrictors. Unit activated by pulling handle down to open position, and is supplied with a cabinet flush with wall to keep corridors free from obstruction. Unit also supplied with wall mounted emergency shower as described below.

SE-575-SD-237: Emergency deluge shower unit with wall activator. Shower is supplied with a 1” NPTF stay-open full flow ball valve that is activated by pull handle that is mounted on wall. Shower head designed to mount flush with ceiling.

SE-575-SD-238: Emergency deluge shower unit with wall activator. Shower is supplied with a 1” NPTF stay-open full flow ball valve that is activated by pull handle that is mounted on wall. Shower head designed to drop down through ceiling.

SPECIFICATIONS

Eye/Face Wash Spray Heads: (2) ABS Plastic Non-Aerated.

Valve: Brass, Chrome-Plated.

Inlet: ½” NPT Female.

Cabinet: 20 Gauge (.036 thk.) 300 Series Stainless Steel with Satin Finish.

Emergency Shower Showerhead: Brass, 8” Diameter Polished Chrome Plated (SE-575-SD-238). Brass, 10” Diameter Flanged Polished Chrome Plated (SE-575-SD-237).

Cover Panel: 20 Gauge (.036 thk.) 300 Series Stainless Steel

Valve: 1” NPT Female Brass, Chrome-Plated. Full Flow Stay-Open Ball Valve.

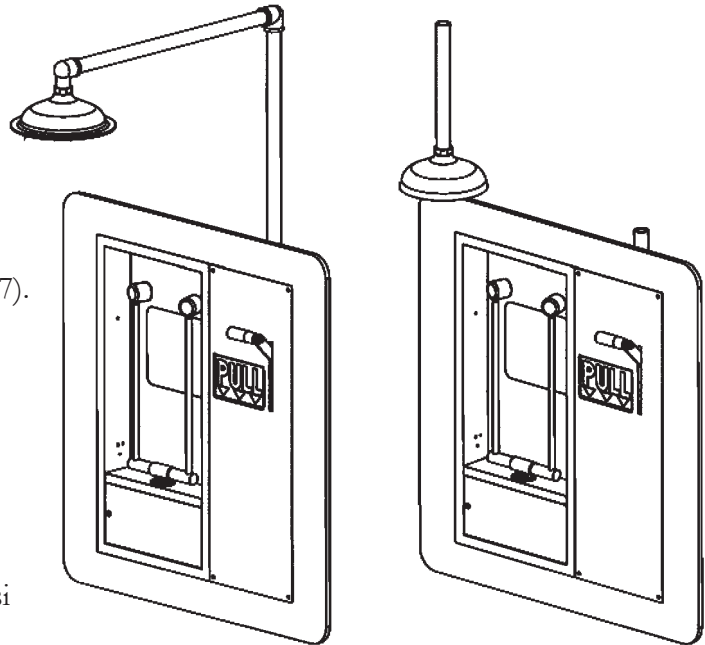
Activator: Stainless Steel Lever with Black Plastic Rotating Handle.

Piping: 1” IPS Steel Pipe Nipple & Unions.

Eye/Face Wash Performance: 3.9 gpm @ 30 psi

Shower Performance: 20 gpm @ 20 psi

Compliance: ANSI Z358.1



SE-575-SD-237

SE-575-SD-238

Job Name _____	
Location _____	
Architect/Engineer _____	
Sales Representative _____	
Wholesaler _____	
Date _____	Model # _____