

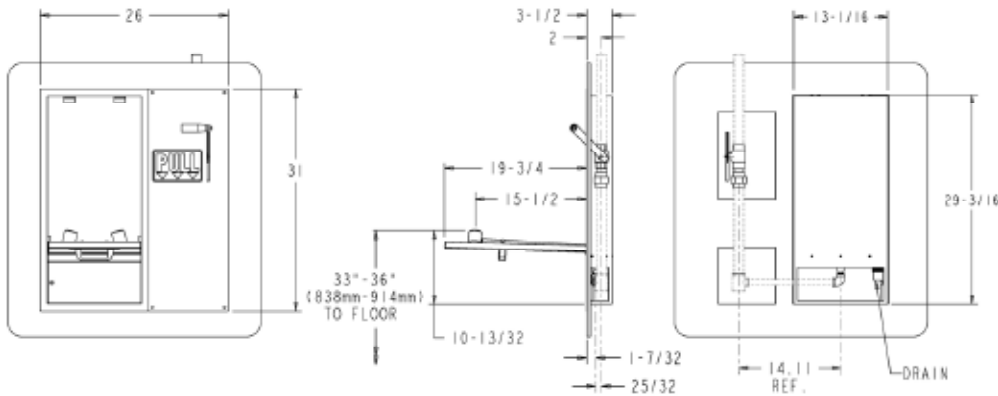
SPEAKMAN®

SE-575-DP-238

ADA COMPLIANT SWING ACTIVATED EYE/FACE WASH

DESCRIPTION

SE-575-DP/238 is a combination recessed, wall mounted swing down eye/face wash with an integral drain pan and a wall activated deluge shower. The eye/face wash features a stainless steel cabinet and activates automatically as the spray arms are pulled downwards. The extended arms provide for easy accessibility for persons with physical disabilities and a lockable access panel provides for easy serviceability from the front of the unit. The shower features a drop down chrome-plated shower head, stainless steel access panel and activates when the handle is pulled downwards.



SPECIFICATIONS

EYE/FACE WASH

- Spray Heads:** (2) plastic, non-aerated
- Valve:** Brass, chrome-plated
- Activation:** Swing activated
- Inlet:** 1/2" NPT female
- Cabinet:** 304 Stainless Steel with satin finish
- Door (Drain Pan):** 304 Stainless Steel with satin finish
- Eye/Face Wash Flow:** 3.9 gpm @ 30 psi
- Compliance:** ANSI Z358.1
- Universal Emergency Sign Included**

SHOWER

- Showerhead:** 8" polished chrome plated.
- Flow Control:** Internal 20 gpm regulator
- Valve:** 1" NPT, stay-open valve.
- Access Panel:** Type 304 Stainless Steel.
- Activator:** Wall mounted stainless steel lever with black plastic rotating handle.
- Performance:** 20 gpm @ 20 psi

OPTIONS

- 30GPM 30gpm regulator
- FLW Flow switch
- ILS In-line strainer
- SSH Stainless steel showerhead

| | |
|----------------------------|---------------|
| Job Name _____ | |
| Location _____ | |
| Architect/Engineer _____ | |
| Sales Representative _____ | |
| Wholesaler _____ | |
| Date _____ | Model # _____ |