

# SPEAKMAN®

## SE-572

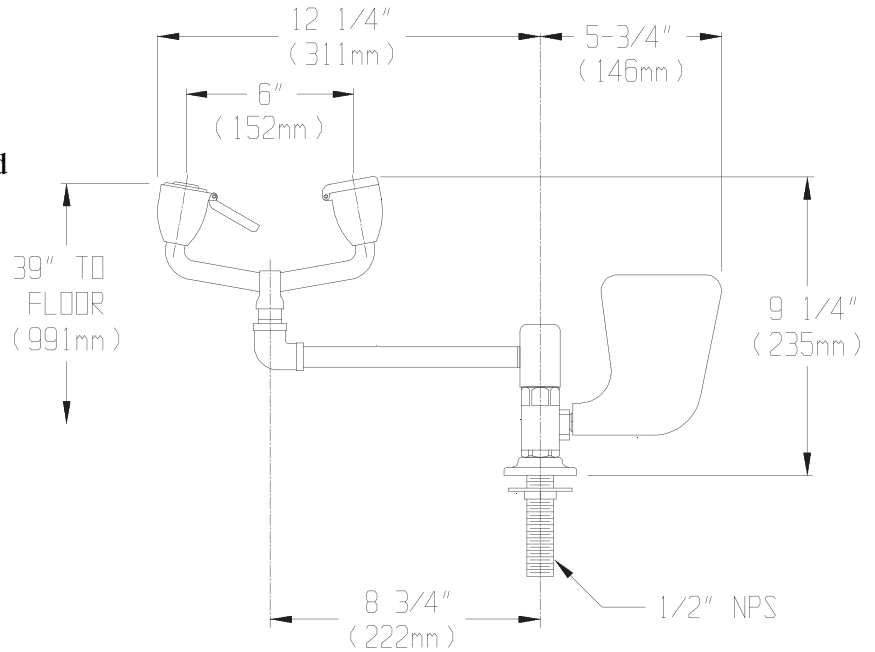
### EYESAVER® EYEWASH

#### DESCRIPTION

The SE-572 Eyesaver® eyewash is counter top mounted and features twin aerated sprays with automatic flow control and flip-top dust covers. The unit swivels 90° and is activated by a paddle handle.

#### SPECIFICATIONS

- Spray Heads:** (2) yellow plastic spray outlets with flip-top dust caps
- Valve:** 1/2" NPT female brass, chrome-plated
- Activator:** Stainless steel push handle
- Inlet:** 1/2" NPT male
- Performance:** 3.6 gpm @ 30 psi
- Compliance:** ANSI Z358.1
- Universal Emergency Sign Included**



#### OPTIONS

- ILS In-line strainer
- LH Left hand operation

Job Name _____	
Location _____	
Architect/Engineer _____	
Sales Representative _____	
Wholesaler _____	
Date _____	Model # _____