

SPEAKMAN®

SE-491-SS

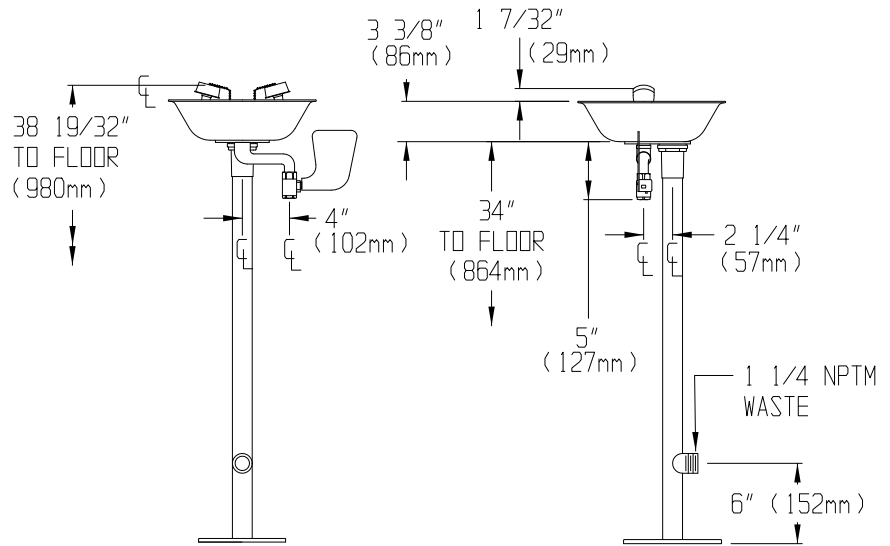
EYESAVER® EYE/FACE WASH

DESCRIPTION

Pedestal mounted, push handle activated emergency eye/face wash with all stainless steel construction. Supplied with stainless steel bowl and stay-open full flow ball valve. Features twin spray heads with balance control screw and flip-top dust caps.

SPECIFICATIONS

- Bowl:** 300 Series stainless steel
- Spray Heads:** Stainless steel
- Valve:** 1/2" NPT female stainless steel
- Activator:** Stainless steel push handle.
- Inlet:** 1/2" NPT female.
- Pipe:** 1-1/4" NPT stainless steel
- Floor Flange:** Stainless steel
- Waste:** 1-1/4" NPT male.
- Compliance:** ANSI Z358.1
- Universal Emergency Sign Included**



OPTIONS

- CV Stainless steel bowl cover
- FLW Flow switch
- FPV Freeze protection valve
- HFO Hand/Foot operation
- HS Hand-held spray
- ILS In-line strainer
- SPV Scald protection valve
- SSBV Stainless steel ball valve

Job Name _____
Location _____
Architect/Engineer _____
Sales Representative _____
Wholesaler _____
Date _____ Model # _____