

SPEAKMAN®

SE-490-CV

EYESAVER® COVERED EYE/FACE WASH

DESCRIPTION

Emergency covered eye/face wash, for wall or stanchion mounting. Supplied with stainless steel bowl, stainless steel cover, stay-open full flow ball valve; activated by stainless steel push handle; heavy duty wall mounting plate, twin spray heads with individual flow restrictors and flip-off dust covers.

SPECIFICATIONS

Bowl: 300 Series Stainless Steel.

Cover: 300 Series Stainless Steel.

Spray Heads: (2) Yellow Plastic Spray Outlet, Sprayface, and Dust Cover.

Valve: 1/2" NPT Female Brass, Chrome-Plated.

Activator: Stainless Steel Push Handle.

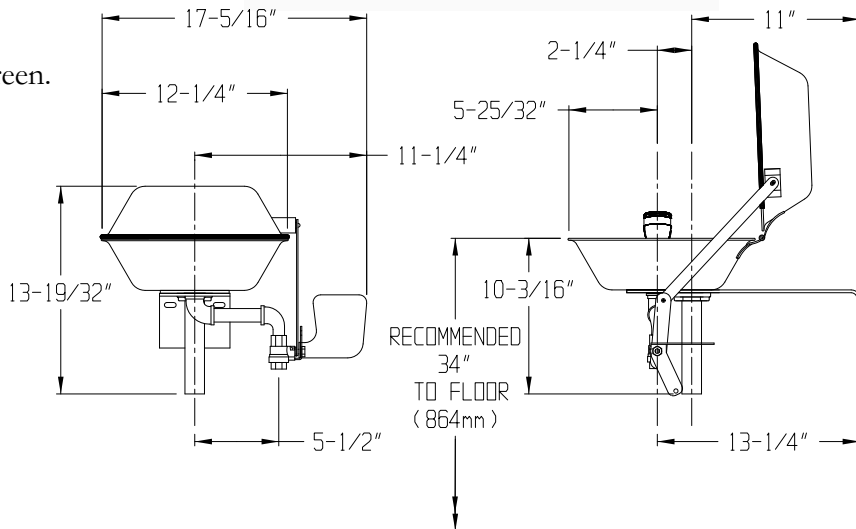
Inlet: 1/2" NPT Female.

Plate: Cold-Rolled Steel Painted Safety Green.

Shipping Weight: 15.9 lbs.

Compliance: ANSI Z358.1

Universal Emergency Sign Included



OPTIONS

- FLW Flow switch
- FPV Freeze protection valve
- HFO Hand/Foot operation
- HS Hand-held spray
- PT P-trap
- SPV Scald protection valve
- SSBV Stainless steel ball valve

Job Name _____	
Location _____	
Architect/Engineer _____	
Sales Representative _____	
Wholesaler _____	
Date _____	Model # _____

36464