

SPEAKMAN®

SE-441

EYESAVER® EYE/FACE WASH

DESCRIPTION

Pedestal mounted emergency eye/face wash. supplied with yellow plastic bowl, frost-proof hydrant activated by panic handle, and galvanized steel pipe with drain tee and floor flange. Spray pattern is a 9" x 8" (72 sq. in.) curtain of aerated water, easily controlled at any pressure for maximum protection. (Standard valve bury depth is 42")

SPECIFICATIONS

BOWL: Acrylic/PVC Thermoplastic

SPRAY HEADS: (6) Brass, Chrome-Plated, Aerated.

FROST-PROOF VALVE: 1" NPT Female Brass.

ACTIVATOR: 3/4" Dia. Brass, Casted Handle.

SHROUDS: Yellow Polypropylene.

INLET: 1" NPT Female.

PIPE: 1-1/4" IPS Galvanized Steel.

FLOOR FLANGE: Brass Casting with (3) 17/32" Dia. Mounting Holes on 9" Dia. Bolt Circle, Spaced 120° Apart.

WASTE: 1-1/4" NPT Female.

Performance: 9.55 gpm @ 30 psi

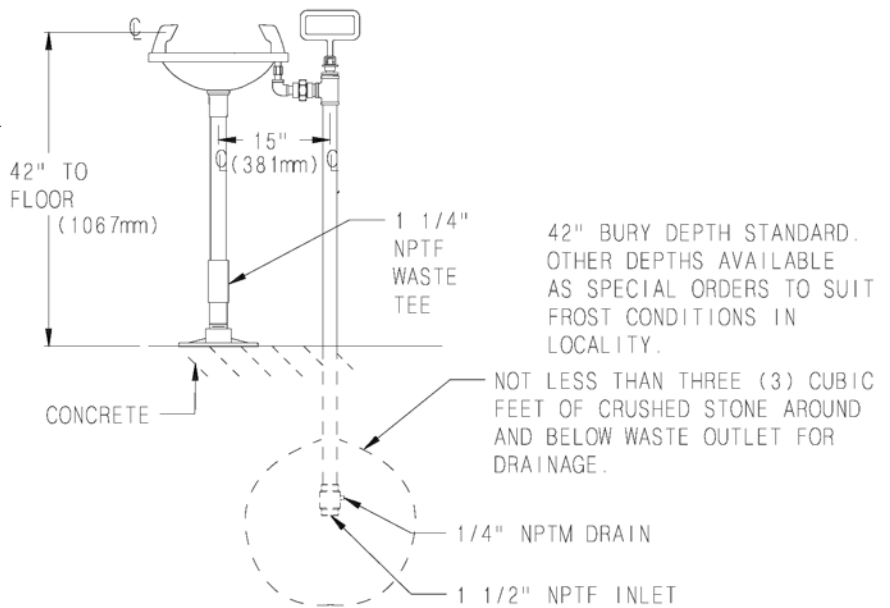
FINISH: DuraJade™

Compliance: ANSI Z358.1

Universal Emergency Sign Included

OPTIONS

- FLW Flow switch
- VPL Vapor proof light



Job Name _____
Location _____
Architect/Engineer _____
Sales Representative _____
Wholesaler _____
Date _____ Model # _____