

SPEAKMAN®

SE-411

EYESAVER® EYE/FACE WASH

DESCRIPTION

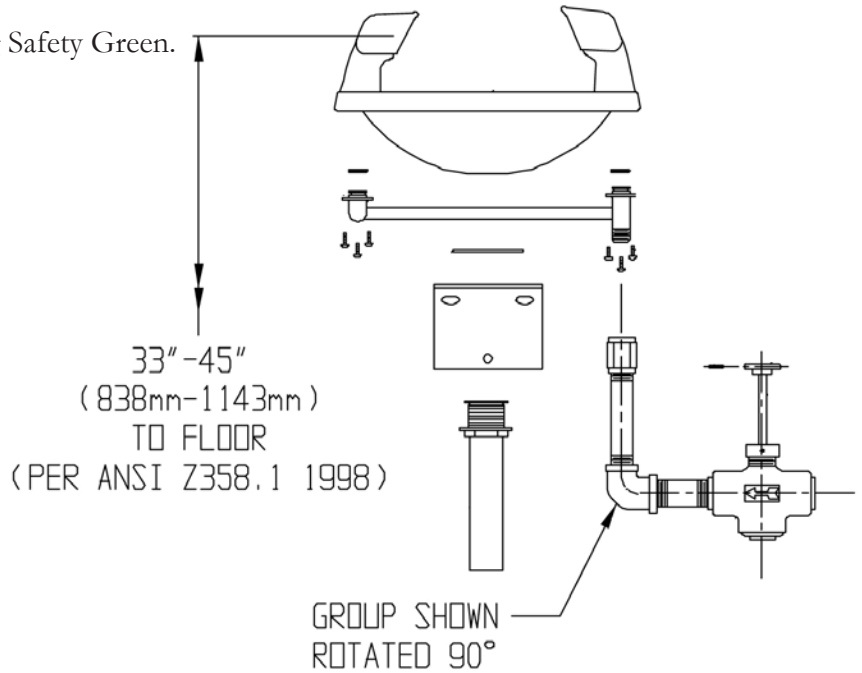
Emergency eye/face wash, for wall mounting, supplied with yellow plastic bowl, self-closing valve; activated by chrome-plated brass push handle; and heavy duty wall mounting plate. Spray pattern is a 9" x 8" (72 sq. in.) curtain of aerated water, easily controlled at any pressure for maximum protection.

SPECIFICATIONS

- showerhead:** 8" dia. cyclac® yellow plastic
- BOWL:** Acrylic/PVC Thermoplastic.
- SPRAY HEADS:** (6) Brass, Chrome-Plated, Aerated.
- VALVE:** 1" NPT Female Brass Chrome-Plated.
- ACTIVATOR:** Brass, Chrome-Plated Push Handle.
- SHROUDS:** Yellow Polypropylene.
- INLET:** 3/4" NPT Female.
- PLATE:** Cold-Rolled Steel Powder Coating Safety Green.
- Performance:** 9.55 gpm @ 30 psi
- Compliance:** ANSI Z358.1
- Universal Emergency Sign Included**

OPTIONS

- FLW Flow switch
- HS Hand-held spray
- PT P Trap
- FPV Anti-freeze protection valve
- SPV Anti-scald protection valve
- VPL Vapor proof light



Job Name _____
Location _____
Architect/Engineer _____
Sales Representative _____
Wholesaler _____
Date _____ Model # _____