

# SPEAKMAN®

## SE-404

### EYESAVER® EYE/FACE WASH

**DESCRIPTION**

SE-404 Eyesaver® freeze protected, wall mounted eye/face wash provides six aerated sprays for gentle yet thorough rinsing of the eyes and face and features a large rectangular yellow ABS plastic bowl, stay open ball valve and an in-line strainer. Valve, strainer, and supply line in heated area for frost-proof application.

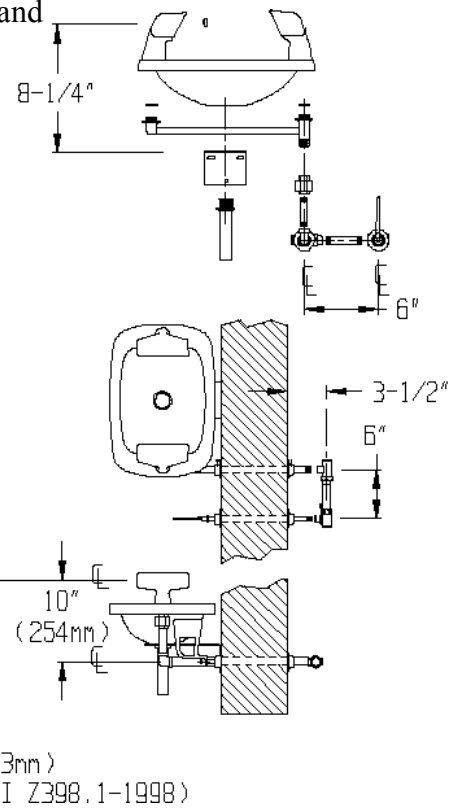
**SPECIFICATIONS**

- BOWL: yellow ABS plastic.
- SPRAY HEADS: (6) Brass, Chrome-Plated, Aerated.
- VALVE: 1/2" NPT Female Brass, Chrome-Plated.
- ACTIVATOR: Brass, Chrome-Plated Push Handle.
- SHROUDS: Yellow Polypropylene.
- INLET: 1/2" NPT Female.
- STRAINER: Brass, Chrome-Plated, In-Line.
- PLATE: Cold-Rolled Steel Painted Safety Green.

Universal Emergency Sign Included  
 Compliance: Meets ANSI Z358.1-1998

**OPTIONS**

- Freeze Protection Valve (FPV)
- Scald Protection Valve (SPV)
- Flow Switch (FLW)
- P-Trap (PT)
- Stainless Steel Ball Valve (SSBV)



Job Name _____
Location _____
Architect/Engineer _____
Sales Representative _____
Wholesaler _____
Date _____ Model # _____