

SPEAKMAN®

SE-374

THERMOSTATIC MIXING VALVE

DESCRIPTION

7 gpm capacity supports most single eye or eye/face wash stations and provides a 5 gpm cold water bypass in case of hot water or thermostatic element failure. Complete with check valves and outlet thermometer. Includes enamel coated steel cabinet.

SPECIFICATIONS

Inlet: 1/2" NPT

Outlet: 1/2" NPT

Cold Water Inlet: 1/4" NPT Union

Tempered Water Outlet: 1/4" NPT Union

Capacity: 6.5 gpm @ 30 psi

Temp. Range: 60°-95°

Stainless Body: 18 Ga.

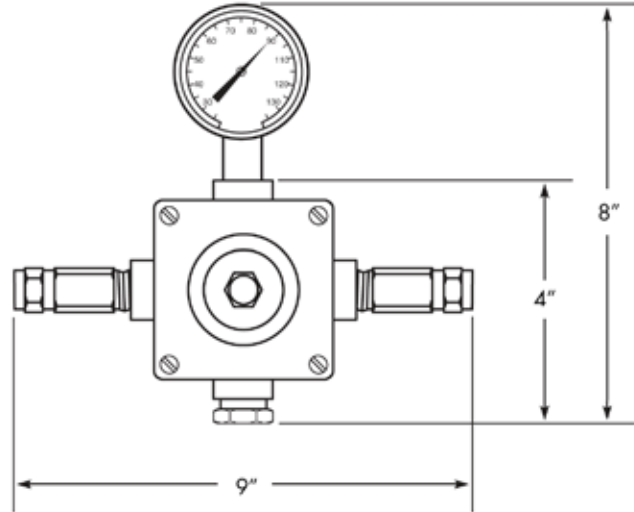
Stainless Door: 18 Ga.

Stainless Finish: Type 304 with no. 4 finish

Carbon Steel Body: 16 Ga.

Carbon Steel Door: 16 Ga.

Carbon Steel Finish: Baked enamel finish



ASSE 1071 Approved

Job Name _____
Location _____
Architect/Engineer _____
Sales Representative _____
Wholesaler _____
Date _____ Model # _____