

SPEAKMAN®

SE-253

LIFESAVER® EMERGENCY SHOWER

DESCRIPTION

The SE-253 Lifesaver® Emergency Shower features a floor mounted emergency deluge shower supplied with stay-open full flow ball valve, activated by triangular pull rod.

SPECIFICATIONS

Showerhead: 8" Cylolac® yellow plastic

Flow Control: Internal 20 gpm regulator

Valve: 1" NPT female brass, chrome-plated, stay-open valve

Activator: Powder coated yellow, aluminum triangular pull rod

Inlet: 1" NPT female

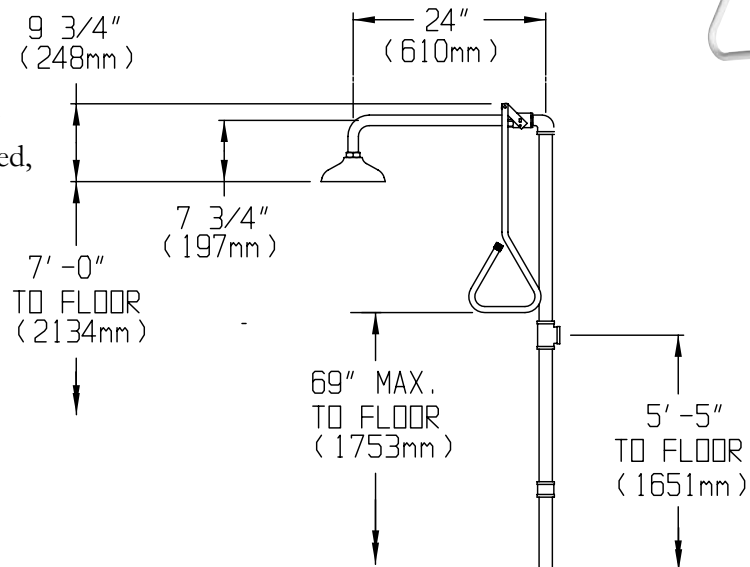
Performance: 20 gpm @ 20 psi

Compliance: ANSI Z358.1

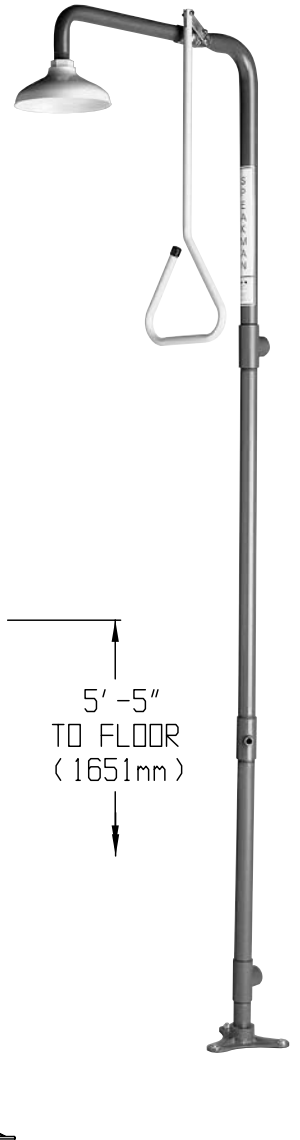
Universal Emergency Sign Included

OPTIONS

- 30GPM 30gpm regulator
- BH Brass showerhead
- FLW Flow switch
- HS Hand-held spray
- SCV Self-closing valve
- SPR Stainless steel pull rod
- SSBV Stainless steel ball valve
- SSH Stainless steel showerhead
- XPR Extended aluminum pull rod



NOTE: PULL HANDLE SHOWN ROTATED 90°



Job Name _____
Location _____
Architect/Engineer _____
Sales Representative _____
Wholesaler _____
Date _____ Model # _____