

SPEAKMAN®

SE-242

LIFESAVER® EMERGENCY SHOWER

DESCRIPTION

The SE-242 Lifesaver® Emergency Shower features a wall mounted deluge shower supplied with stay-open full flow ball valve, activated by paddle handle. Designed for valve to be mounted in heated area for freeze protection.

SPECIFICATIONS

Showerhead: 8" Cylolac® yellow plastic

Flow Control: Internal 20 gpm regulator

Valve: 1" NPT female brass, chrome-plated, stay-open valve

Activator: Wall mounted push flag

Inlet: 1" NPT female

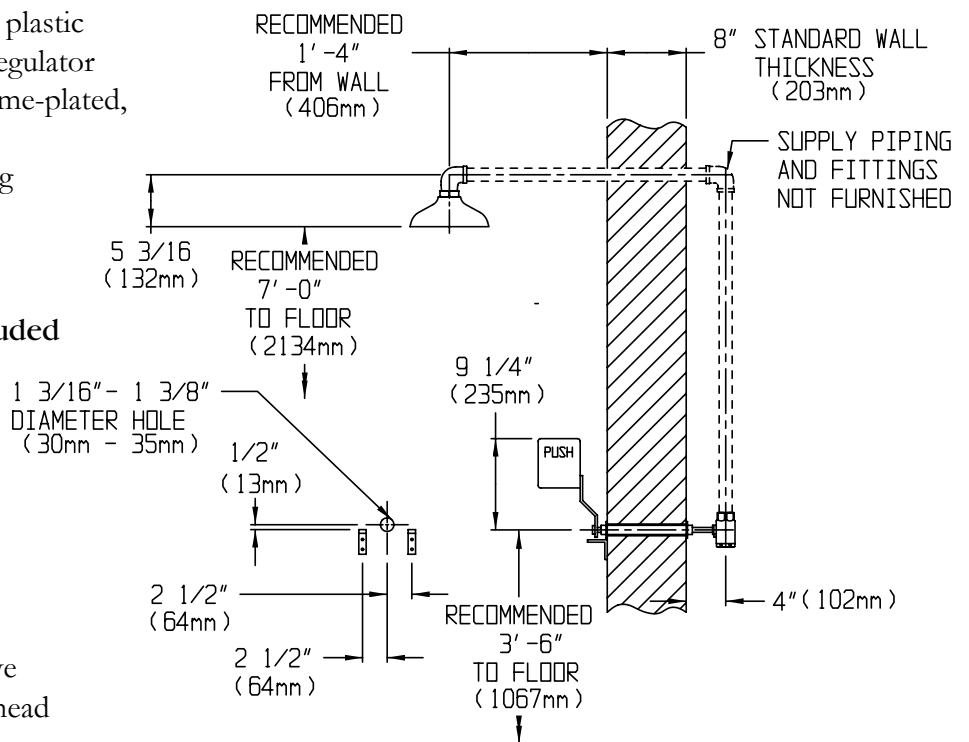
Performance: 20 gpm @ 20 psi

Compliance: ANSI Z358.1

Universal Emergency Sign Included

OPTIONS

- 30GPM 30gpm regulator
- BH Brass showerhead
- FLW Flow switch
- SSBV Stainless steel ball valve
- SSH Stainless steel showerhead



Job Name _____	
Location _____	
Architect/Engineer _____	
Sales Representative _____	
Wholesaler _____	
Date _____	Model # _____