

SPEAKMAN®

SE-238

LIFESAVER® EMERGENCY SHOWER

DESCRIPTION

The SE-238 Lifesaver® Emergency Shower features an impeller action chrome-plated shower head with a vertical supply. The unit is activated with a 1" stay-open ball valve operated by a wall mounted lever.

SPECIFICATIONS

Showerhead: Brass, 8" with extended supply pipe

Flow Control: Internal 20 gpm regulator

Valve: 1" NPT female brass, chrome-plated, stay-open valve

Cabinet: 18 gauge (0.048 thick) Type 304 stainless steel

Pipe: 1" IPS chrome plated brass

Activator: Wall mounted stainless steel lever with black plastic rotating handle

Performance: 20 gpm @ 20 psi

Compliance: ANSI Z358.1

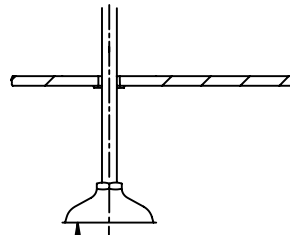
Universal Emergency Sign Included

AVAILABLE MODELS

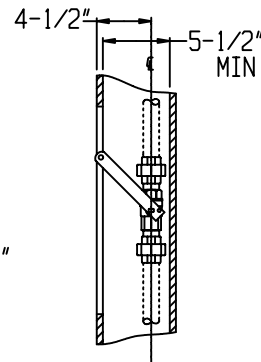
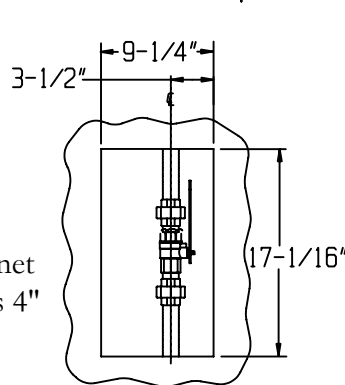
- SE-238 Suitable for 6" walls
- SE-238-SR Suitable for 4" walls
- SE-238-SM Surface mounted, no cabinet minimum wall thickness is 4"

OPTIONS

- 30GPM 30gpm regulator
- FLW Flow switch
- SSBV Stainless steel ball valve
- SSH Stainless steel showerhead



RECOMMENDED
7" -0"
TO FLOOR
(2134mm)



Job Name _____
Location _____
Architect/Engineer _____
Sales Representative _____
Wholesaler _____
Date _____ Model # _____

34848