

# SPEAKMAN®

## SE-236-PR

### LIFESAVER® EMERGENCY SHOWER

#### DESCRIPTION

The SE-236-PR Lifesaver® Emergency Shower features a concealed ceiling mounted impeller action chrome-plated shower head with a horizontal supply. The unit is activated with a 1" stay-open ball valve operated by a high visibility yellow pull rod.

#### SPECIFICATIONS

**Showerhead:** Brass, 10" flush mounted, polished chrome plated

**Flow Control:** Internal 20 gpm regulator

**Valve:** 1" NPT female brass, chrome-plated, stay-open valve

**Flange:** Brass, chrome plated

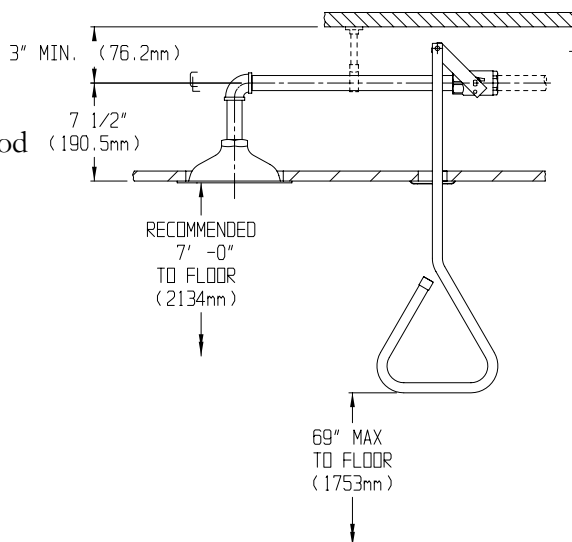
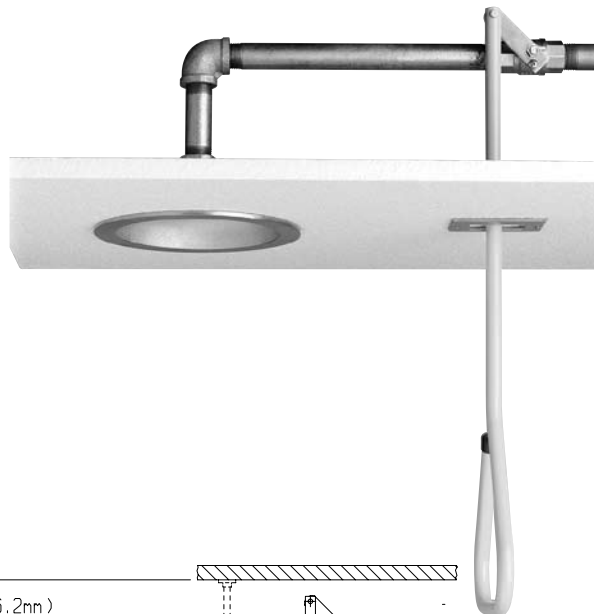
**Pipe:** 1" IPS galvanized steel

**Activator:** High visibility yellow aluminum pull rod

**Performance:** 20 gpm @ 20 psi

**Compliance:** ANSI Z358.1

**Universal Emergency Sign Included**



#### OPTIONS

- 30GPM 30gpm regulator
- FLW Flow switch
- SPR Stainless steel pull rod
- SSBV Stainless steel ball valve
- SSH Stainless steel showerhead
- XPR Extended aluminum pull rod

Job Name _____
Location _____
Architect/Engineer _____
Sales Representative _____
Wholesaler _____
Date _____ Model # _____

34046