

# SPEAKMAN®

## SE-227

### LIFESAVER® EMERGENCY SHOWER

#### DESCRIPTION

The SE-227 Lifesaver® Emergency Shower features an impeller action yellow Cicolac® shower head with a horizontal overhead supply. The unit is activated with a 1" stay-open ball valve operated by a high visibility yellow pull rod.

#### SPECIFICATIONS

**Showerhead:** 8" Cicolac® yellow plastic

**Flow Control:** Internal 20 gpm regulator

**Valve:** 1" NPT female brass, chrome-plated, stay-open valve

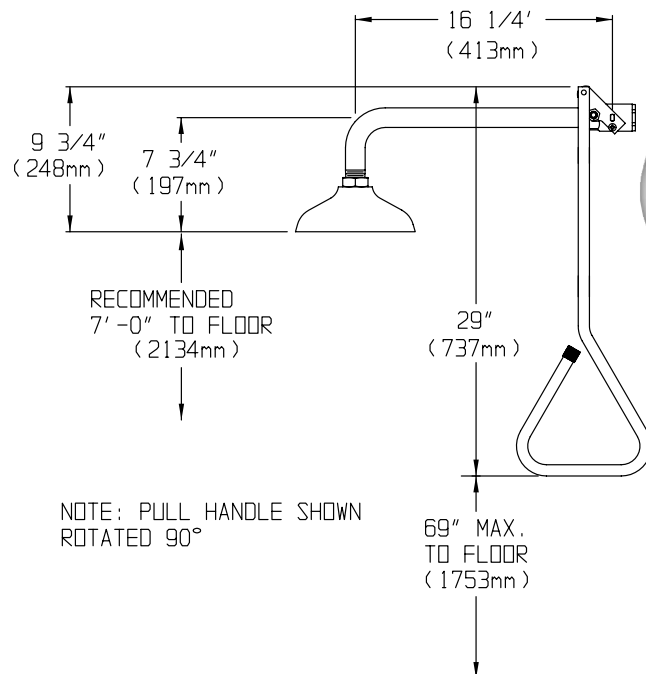
**Activator:** Powder coated yellow, aluminum triangular pull rod

**Inlet:** 1" NPT female

**Performance:** 20 gpm @ 20 psi

**Compliance:** ANSI Z358.1

**Universal Emergency Sign Included**



#### OPTIONS

- 30GPM 30gpm regulator
- BH Brass showerhead
- FLW Flow switch
- HS Hand-held spray
- SCV Self-closing valve
- SPR Stainless steel pull rod
- SSBV Stainless steel ball valve
- SSH Stainless steel showerhead
- XPR Extended aluminum pull rod

Job Name _____
Location _____
Architect/Engineer _____
Sales Representative _____
Wholesaler _____
Date _____ Model # _____

34242

Revision Date  
MAR. 2011

400 Anchor Mill Road, New Castle, DE 19720 USA  
1-800-537-2107 | Fax: 1-800-977-2747  
WWW.SPEAKMANCOMPANY.COM