

SPEAKMAN®

SE-220-SS

LIFESAVER® EMERGENCY SHOWER

DESCRIPTION

Emergency deluge shower supplied with stay-open full flow ball valve, activated by triangular pull rod.

SPECIFICATIONS

Showerhead: 8" diameter stainless steel

Flow Control: Internal 20 gpm regulator

Valve: 1" NPT stainless steel stay-open valve

Activator: Stainless steel triangular pull rod

Inlet: 1" NPT female

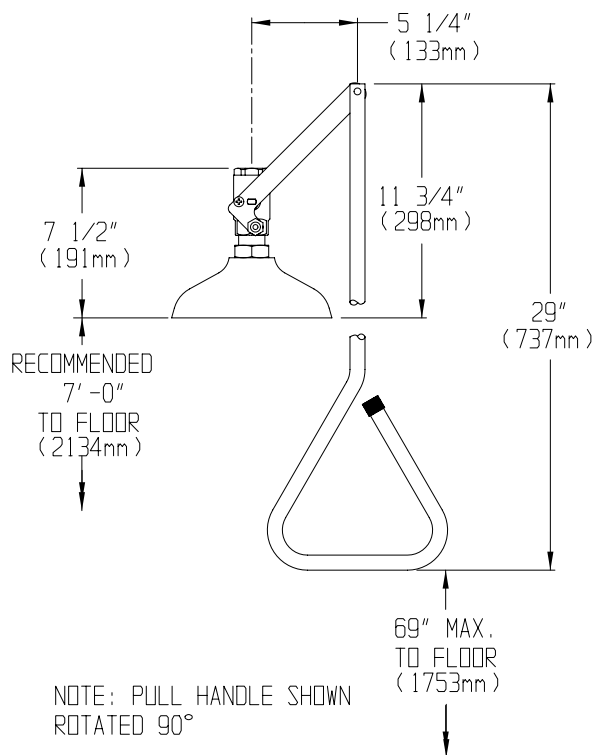
Performance: 20 gpm @ 20 psi

Compliance: ANSI Z358.1

Universal Emergency Sign Included

OPTIONS

- 30GPM 30gpm regulator
- FLW Flow switch
- PC Polished chrome showerhead
- BH Brass showerhead
- FPV Anti-freeze protection valve
- SPV Anti-scald protection valve



Job Name _____
Location _____
Architect/Engineer _____
Sales Representative _____
Wholesaler _____
Date _____ Model # _____