

SPEAKMAN®

SE-212

LIFESAVER® EMERGENCY SHOWER

DESCRIPTION

Emergency deluge shower supplied with self-closing valve with wall flange and pulley for mounting over doorway, activated by synthetic pull cord.

SPECIFICATIONS

showerhead: 8" dia. cicolac® yellow plastic

Flow Control: Internal 20 gpm restrictor

Valve: 1" NPT female brass, chrome-plated. self-closing valve

Activator: 10' yellow nylon rope

Inlet: 1" NPT female

Flange: Brass, chrome plated

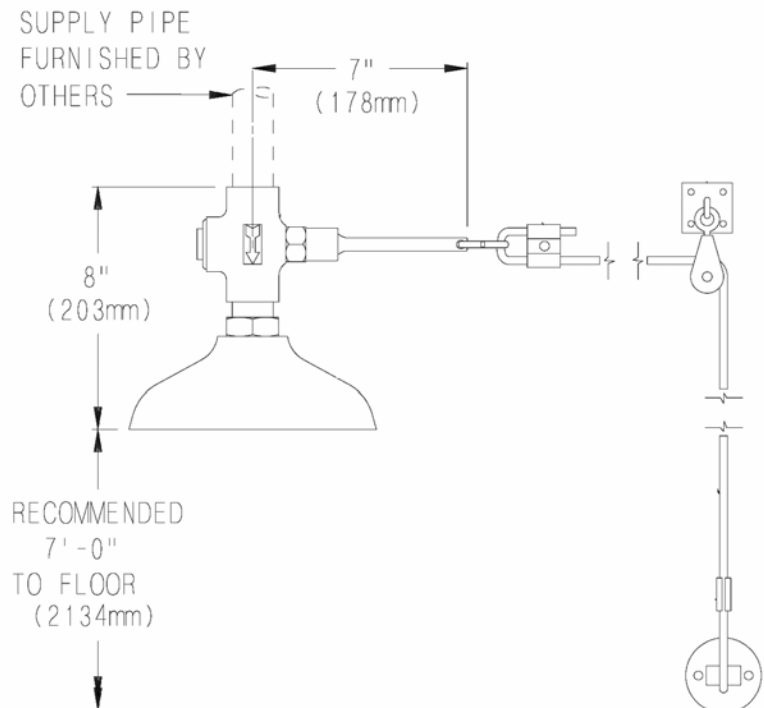
Performance: 20 gpm @ 20 psi

Compliance: ANSI Z358.1

Universal Emergency Sign Included

OPTIONS

- FLW Flow switch
- PC Polished chrome showerhead
- BH Brass showerhead
- SSH Stainless steel showerhead
- FPV Anti-freeze protection valve
- SPV Anti-scald protection valve
- VPL Vapor proof light



Job Name _____
Location _____
Architect/Engineer _____
Sales Representative _____
Wholesaler _____
Date _____ Model # _____