

# SPEAKMAN®

## SE-206

### LIFESAVER® EMERGENCY SHOWER

#### DESCRIPTION

The SE-216 Lifesaver® Emergency Shower is an emergency deluge shower supplied with self-closing valve, that is activated by a pull chain and ring.

#### SPECIFICATIONS

**Showerhead:** 8" Cylolac® yellow plastic

**Flow Control:** Internal 20 gpm regulator

**Valve:** 1" NPT female brass, chrome-plated, self-closing valve

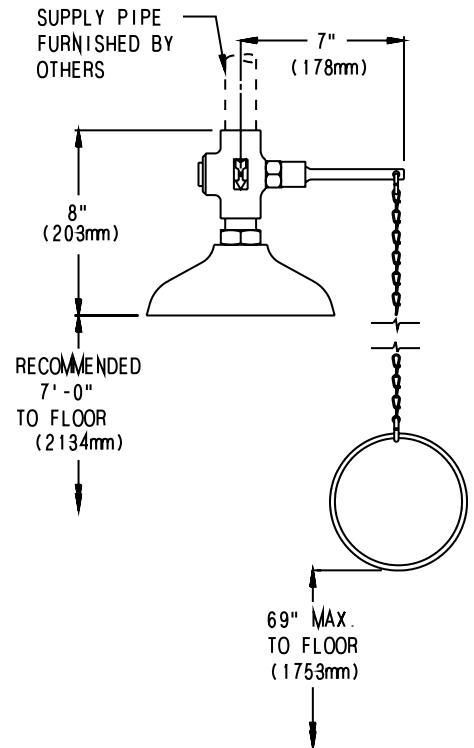
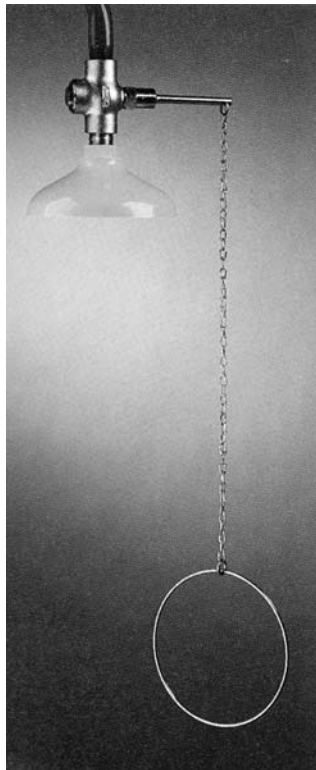
**Activator:** 8" diameter stainless steel ring, #3 stainless steel loop chain

**Inlet:** 1" NPT female

**Performance:** 20 gpm @ 20 psi

**Compliance:** ANSI Z358.1

**Universal Emergency Sign Included**



#### OPTIONS

- 30GPM 30gpm regulator
- BH Brass showerhead
- FLW Flow switch
- FPV Anti-freeze protection valve
- PC Polished chrome shower-head
- SPV Anti-scald protection valve
- SSH Stainless steel shower-head
- STALL Shower stall

Job Name _____	
Location _____	
Architect/Engineer _____	
Sales Representative _____	
Wholesaler _____	
Date _____	Model # _____