

SPEAKMAN®

SE-201

LIFESAVER® EMERGENCY SHOWER

DESCRIPTION

Emergency deluge shower supplied with self-closing valve, that is activated by a pull chain. Flange can be attached to wall or floor.

SPECIFICATIONS

Activator: 19" Chain.

SHOWER HEAD: 8" Dia. CYCOLAC® Yellow Plastic.

FLOW CONTROL: Internal 20 gpm Regulator.

VALVE: 1" NPT Brass, Chrome-Plated. Self-Closing Valve.

ACTIVATOR: #3 Stainless Steel Loop Chain, 102" long.

INLET: 1" NPT Female.

FLANGE: Brass, Chrome Plated.

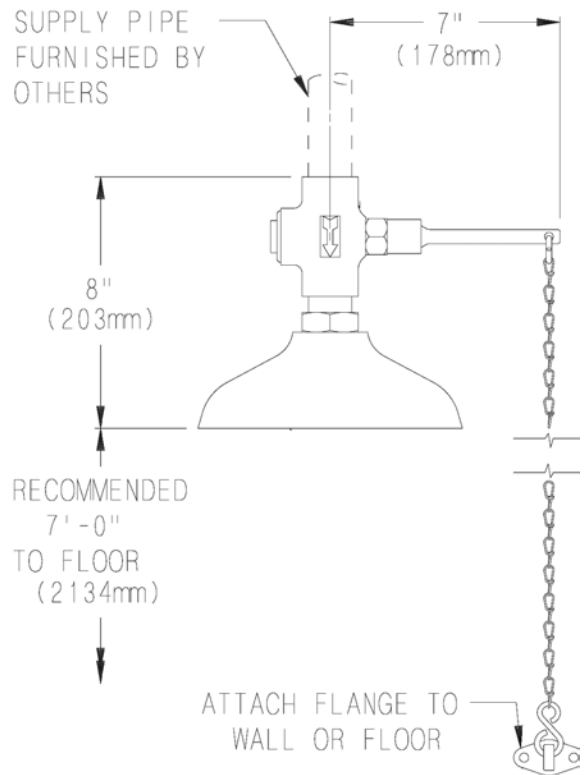
Performance: 20 gpm @ 20 psi

Compliance: ANSI Z358.1

Universal Emergency Sign Included

OPTIONS

- FLW Flow switch
- PC Polished chrome showerhead
- BH Brass showerhead
- SSH Stainless steel showerhead
- FPV Anti-freeze protection valve
- SPV Anti-scald protection valve
- VPL Vapor proof light



Job Name _____
Location _____
Architect/Engineer _____
Sales Representative _____
Wholesaler _____
Date _____ Model # _____