

COMMANDER®

SC-5851



Service Sink Fittings

GENERAL SPECIFICATION

Polished chrome plated cast brass Commander service sink fitting with 1/4 turn ceramic cartridges covered by a 25-year warranty. Integral stops. Cast brass nozzle with 3/4" hose thread and pail hook. Brass vacuum breaker. Brass bottom braces with wall flanges and mounting screws. Distance from finished wall to nozzle outlet is 11-1/2". 8" centers with adjustable threaded brass wall flanges provide +/- 1/4" adjustments. 1/2" NPTF inlets. Meets A112.18.1/CSA B125.1 and ASSE-1001 standards.

SC-5851

Vandal-resistant four-arm handles with color-coded indexes.

SC-5852 

Vandal-resistant lever handles with color-coded indexes.

SC-5854 

Vandal-resistant 4" wrist blade handles with color-coded indexes.

SC-5856 

Vandal-resistant 6" wrist blade handles with color-coded indexes.

SC-5858 

Vandal-resistant wing handles with color-coded indexes.

OPTIONS

SUFFIX	DESCRIPTION
<input type="checkbox"/> EC	RCP eccentric couplings adjust for installations with 4" to 12" centers
<input type="checkbox"/> LVB	Less vacuum breaker (plain end spout)
<input type="checkbox"/> MI	Metal index for handles
<input type="checkbox"/> RCP	Rough chrome plated finish
<input type="checkbox"/> SEF-9200	Safety eyewash attachment
<input type="checkbox"/> 5H	5' vinyl hose with wall hook
<input type="checkbox"/> 14	14" from nozzle outlet to finished wall

with SEF-9200

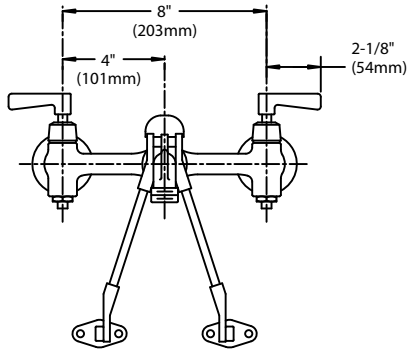


This space for Architect/Engineer approval.

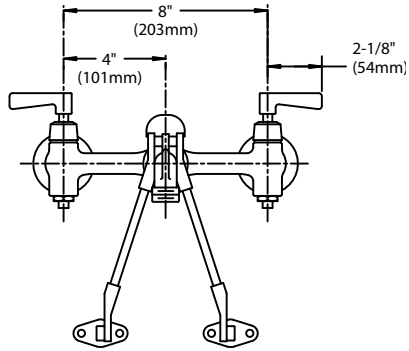


ROUGH-INS

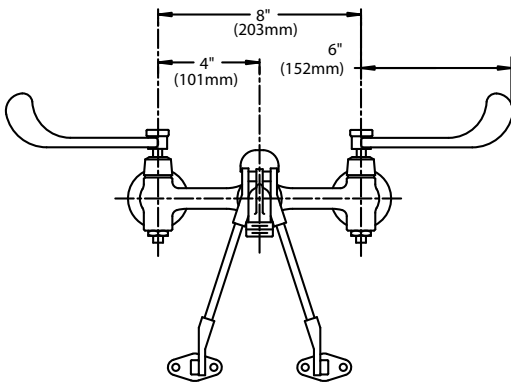
SC-5851



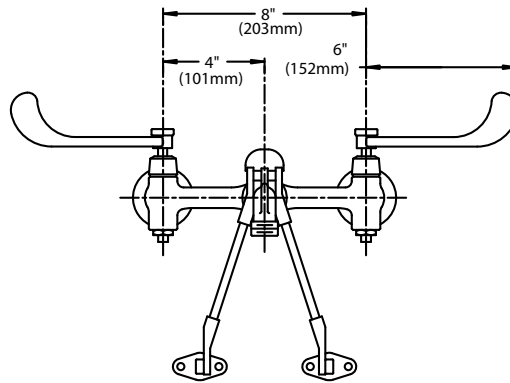
SC-5852



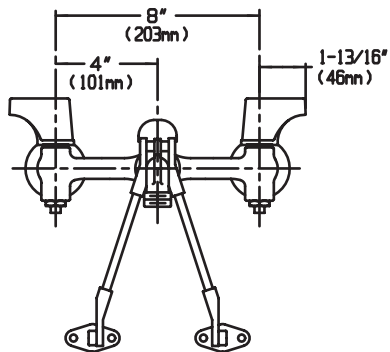
SC-5854



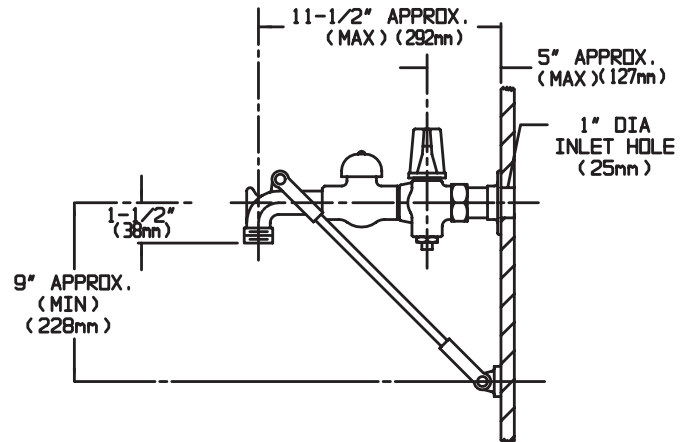
SC-5856



SC-5858



Side View



NOTE: All dimensions are in inches (millimeters) unless otherwise specified and are subject to change without notice. Unless otherwise specified, all inlets are 1/2" NPTF.