

COMMANDER®

SC-5811



Service Sink Fittings

GENERAL SPECIFICATION

Polished chrome plated cast brass Commander service sink fitting with 1/4 turn ceramic cartridges covered by a 25-year warranty. Integral stops. Cast brass nozzle with 3/4" hose thread and pail hook. Brass vacuum breaker. Brass top brace assembly with wall flange and mounting screws. Distance from finished wall to nozzle outlet is 9". 8" centers with adjustable threaded brass wall flanges provide +/- 1/4" adjustments. 1/2" NPTF inlets. Meets A112.18.1/CSA B125.1 and ASSE-1001 standards.

SC-5811

Vandal-resistant four-arm handles with color-coded indexes.

SC-5812 ♿

Vandal-resistant lever handles with color-coded indexes.

SC-5814 ♿

Vandal-resistant 4" wrist blade handles with color-coded indexes.

SC-5816 ♿

Vandal-resistant 6" wrist blade handles with color-coded indexes.

SC-5818 ♿

Vandal-resistant wing handles with color-coded indexes.

OPTIONS

SUFFIX	DESCRIPTION
<input type="checkbox"/> CK	Check valves in swivel assembly
<input type="checkbox"/> EC	RCP eccentric couplings adjust for installations with 4" to 12" centers
<input type="checkbox"/> LVB	Less vacuum breaker (plain end spout)
<input type="checkbox"/> MI	Metal index for handles
<input type="checkbox"/> RCP	Rough chrome plated finish
<input type="checkbox"/> SEF-9200	Safety eyewash attachment
<input type="checkbox"/> 5H	5' vinyl hose with wall hook



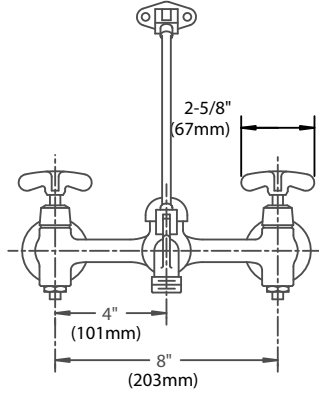
with SEF-9200

This space for Architect/Engineer approval.

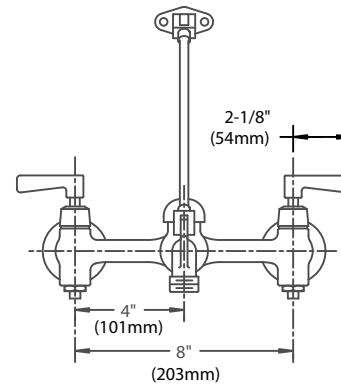


ROUGH-INS

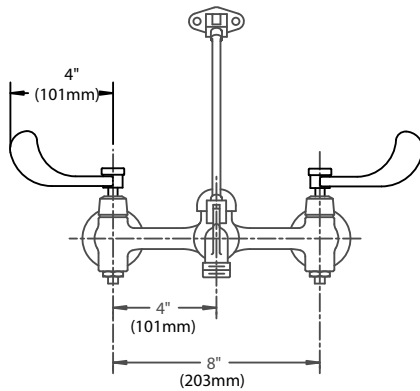
SC-5811



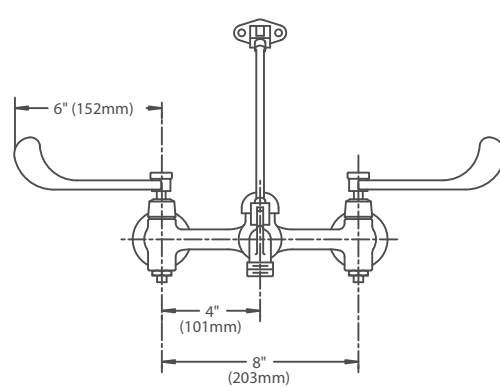
SC-5812



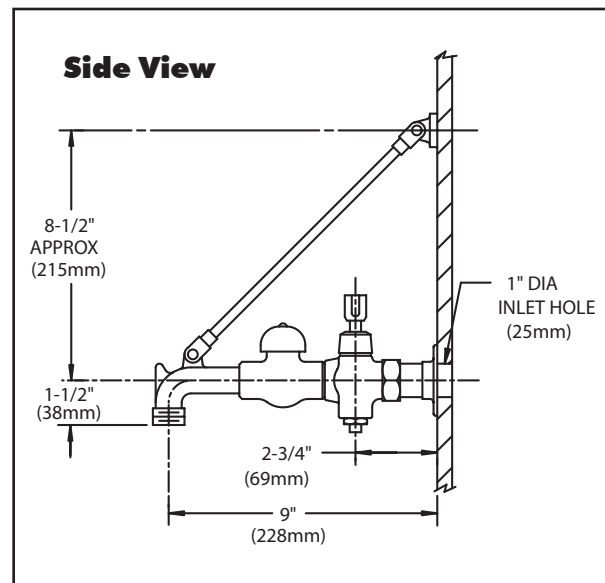
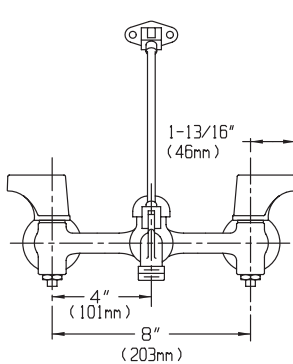
SC-5814



SC-5816



SC-5818



NOTE: All dimensions are in inches (millimeters) unless otherwise specified and are subject to change without notice. Unless otherwise specified, all inlets are 1/2" NPTF.