

## Thru/Back Sink Fitting

**SC-5744**



**SC-5746**



**SC-5748**



### GENERAL SPECIFICATION

Chrome plated cast brass thru/back sink fitting. 5 1/4" deep spread goose-neck spout, rigid or swivel. 8" centers with eccentric inlets. Adjustable threaded brass wall flanges. 1/2" NPTF inlets. Vandal-resistant flow control reduces flow to 2.2 gpm/8.4 lpm maximum. Meets ASME A112.18.1/CSA B125.1 and NSF61.

**SC-5744**

Vandal-resistant 4" wrist blade handles with color-coded indexes.

**SC-5746**

Vandal-resistant 6" wrist blade handles with color-coded indexes.

**SC-5748**

Vandal-resistant wing handles with color-coded indexes.

### OPTIONS

SUFFIX	DESCRIPTION
<input type="checkbox"/> BO	0.5 gpm flow control, vandal-resistant
<input type="checkbox"/> CA**	No lead for CA AB1953 compliance
<input type="checkbox"/> FC*	2.0 gpm laminar flow control, plain end spout
<input type="checkbox"/> GB	1.5 gpm flow control, vandal-resistant
<input type="checkbox"/> LF	2.2 gpm laminar flow control outlet
<input type="checkbox"/> MI	Metal index for handles
<input type="checkbox"/> SO	Rose spray outlet
<input type="checkbox"/> 4*	3-3/4" deep spread gooseneck spout, rigid or swivel
<input type="checkbox"/> 8*	8" deep spread gooseneck spout, rigid or swivel
<input type="checkbox"/> 9*	9" deep tubular swing spout, rigid or swivel
<input type="checkbox"/> 12*	12" deep tubular swing spout, rigid or swivel
<input type="checkbox"/> EC	RCP eccentric couplings adjust for installations with 4" to 12" centers
<input type="checkbox"/> VB6*	6" deep spread rigid vacuum breaker spout
<input type="checkbox"/> VB8*	8" deep spread rigid vacuum breaker spout

### VACUUM BREAKER OPTIONS

SUFFIX	DESCRIPTION
<input type="checkbox"/> ST	Serrated tip
<input type="checkbox"/> SW	Swivel spout

\*See page 213 for optional spout specifications

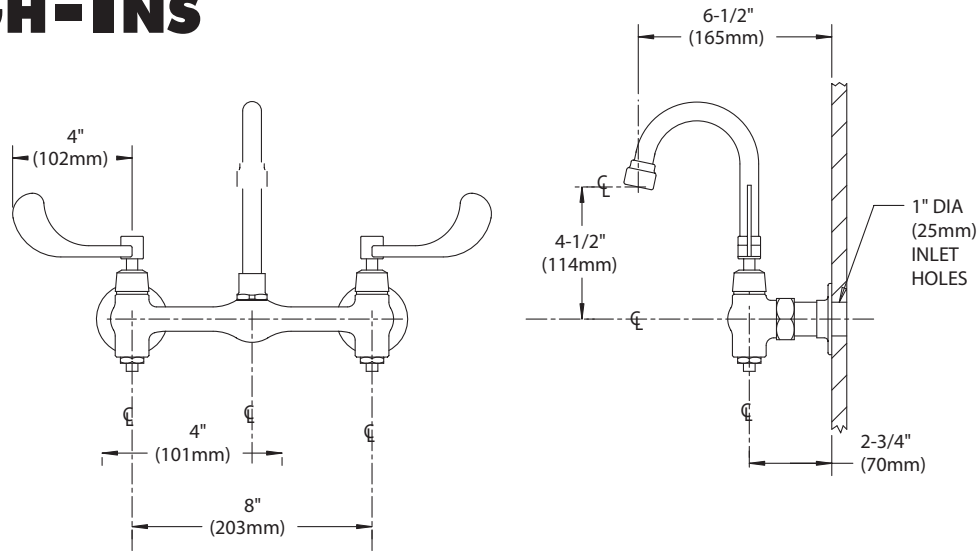
\*\* The following options are not available with the "CA" option: HS (Hose & Spray), EC, SO, TVI, VB6, VB8, ST, SW, & TMV.

This space for Architect/Engineer approval.

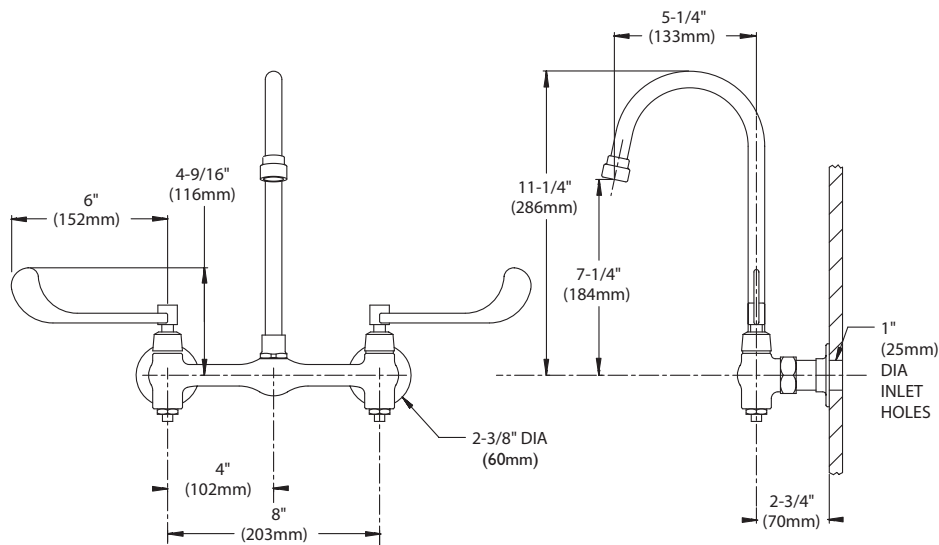


## ROUGH-INS

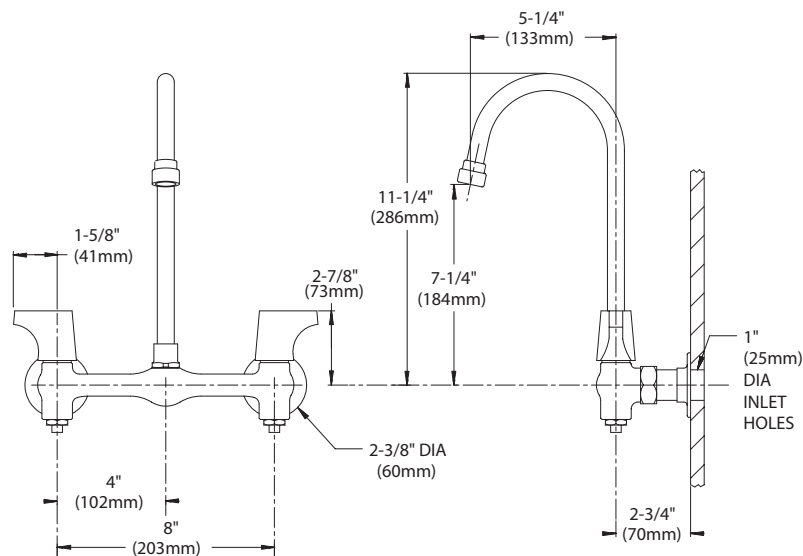
### SC-5744



### SC-5746



### SC-5748



NOTE: All dimensions are in inches (millimeters) unless otherwise specified and are subject to change without notice. Unless otherwise specified, all inlets are 1/2" NPTF.



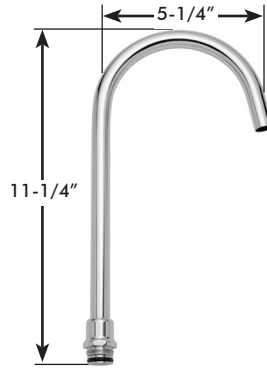
Spout -4, rigid or swivel  
 3-3/4" deep gooseneck



Spout -4FC, rigid or swivel  
 3-3/4" deep plain end gooseneck;  
 laminar flow in base of spout



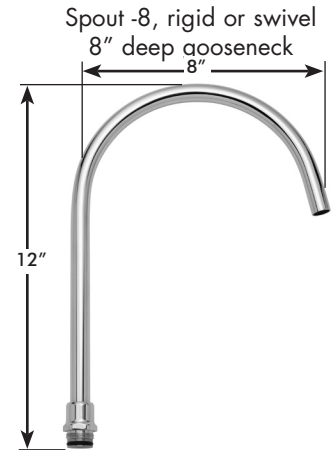
Spout -5, rigid or swivel  
 5-1/4" deep gooseneck



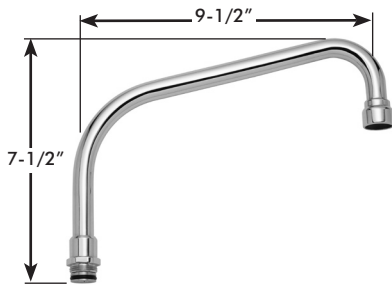
Spout -5FC, rigid or swivel  
 5-1/4" deep plain end gooseneck;  
 laminar flow in base of spout



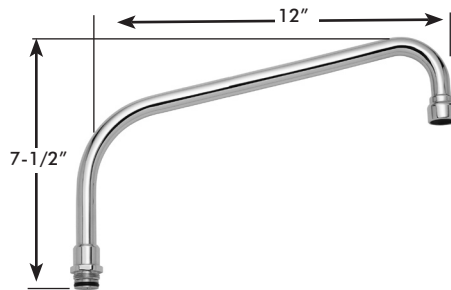
STANDARD SPOUT FOR  
 DECK MOUNTED  
 KITCHEN SINK FITTINGS



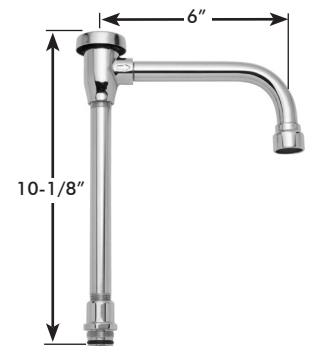
Spout -8FC, rigid or swivel  
 8" deep plain end gooseneck;  
 laminar flow in base of spout



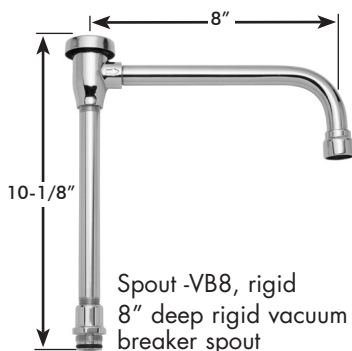
Spout -9, rigid or swivel  
 9" deep tubular swing spout



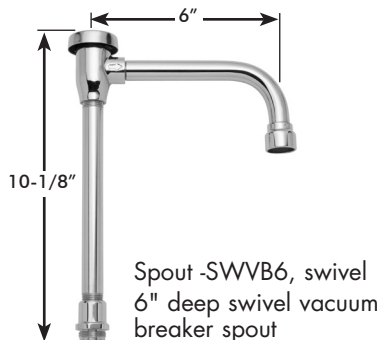
Spout -12, rigid or swivel  
 12" deep tubular swing spout



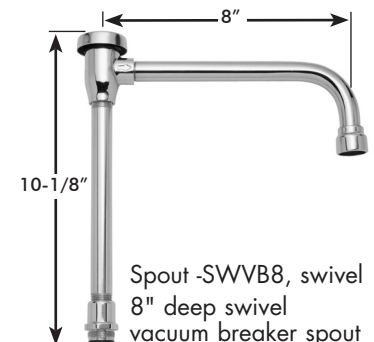
Spout -VB6, rigid  
 6" deep rigid vacuum breaker spout



Spout -VB8, rigid  
 8" deep rigid vacuum  
 breaker spout



Spout -SWVB6, swivel  
 6" deep swivel vacuum  
 breaker spout



Spout -SWVB8, swivel  
 8" deep swivel  
 vacuum breaker spout